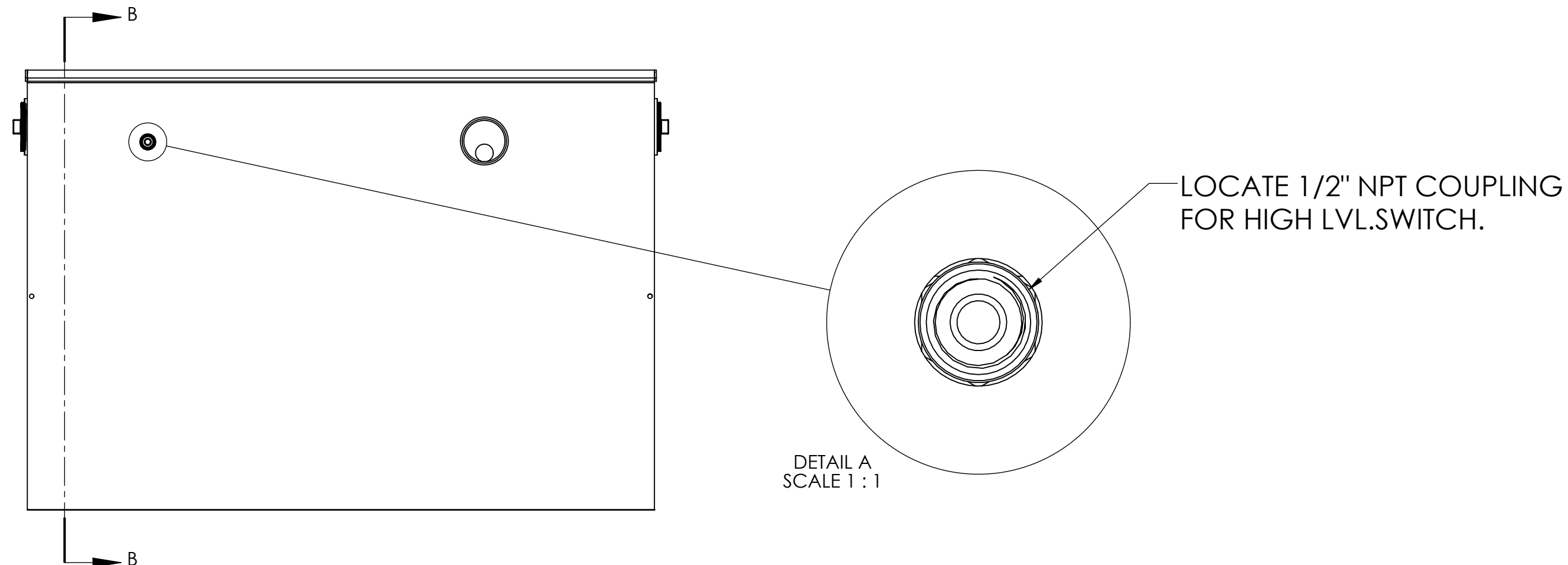
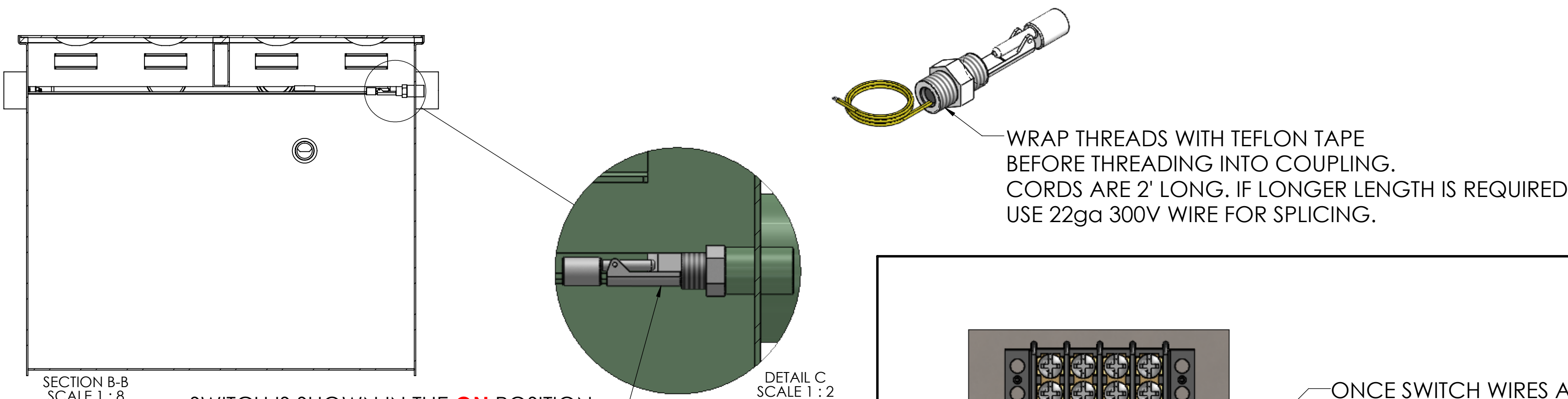


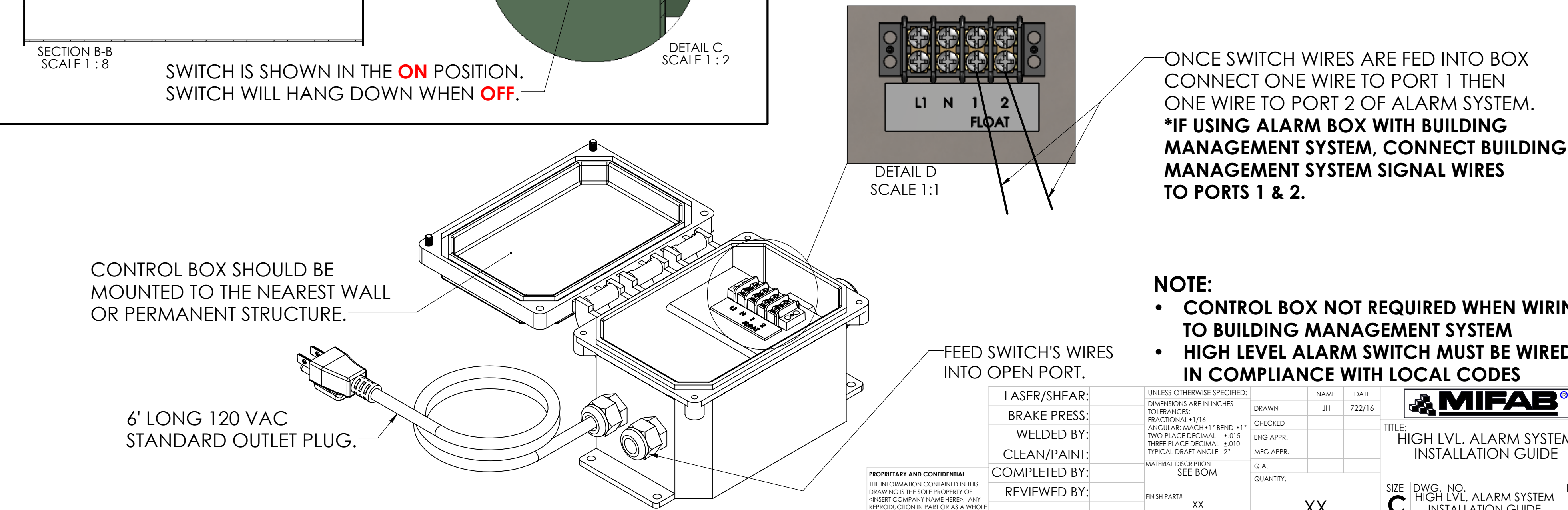
# STEP: 1



# STEP: 2



# STEP: 3



- NOTE:**
- CONTROL BOX NOT REQUIRED WHEN WIRING TO BUILDING MANAGEMENT SYSTEM
  - HIGH LEVEL ALARM SWITCH MUST BE WIRED IN COMPLIANCE WITH LOCAL CODES

PROPRIETARY AND CONFIDENTIAL  
THE INFORMATION CONTAINED IN THIS DRAWING IS THE SOLE PROPERTY OF <INSERT COMPANY NAME HERE>. ANY REPRODUCTION IN PART OR AS A WHOLE WITHOUT THE WRITTEN PERMISSION OF <INSERT COMPANY NAME HERE> IS PROHIBITED.

LASER/SHEAR:	UNLESS OTHERWISE SPECIFIED: DIMENSIONS ARE IN INCHES	NAME	DATE
BRAKE PRESS:	TOLERANCES: FRACTIONAL ±1/16	DRAWN	JH 722/16
WELDED BY:	ANGULAR: MACH ±1° BEND ±1°	CHECKED	
CLEAN/PAINT:	TWO PLACE DECIMAL ±.015	ENG APPR.	
COMPLETED BY:	THREE PLACE DECIMAL ±.010	MFG APPR.	
REVIEWED BY:	TYPICAL DRAFT ANGLE 2°	Q.A.	
NEXT ASSY	MATERIAL DESCRIPTION SEE BOM	QUANTITY:	
USED ON	FINISH PART#		XX
APPLICATION	XX		
	DO NOT SCALE DRAWING		

**MIFAB**

TITLE: HIGH LVL. ALARM SYSTEM INSTALLATION GUIDE

SIZE: C DWG. NO. HIGH LVL. ALARM SYSTEM INSTALLATION GUIDE REV

SCALE: 1:12 WEIGHT: SHEET 1 OF 1