

Location: _____

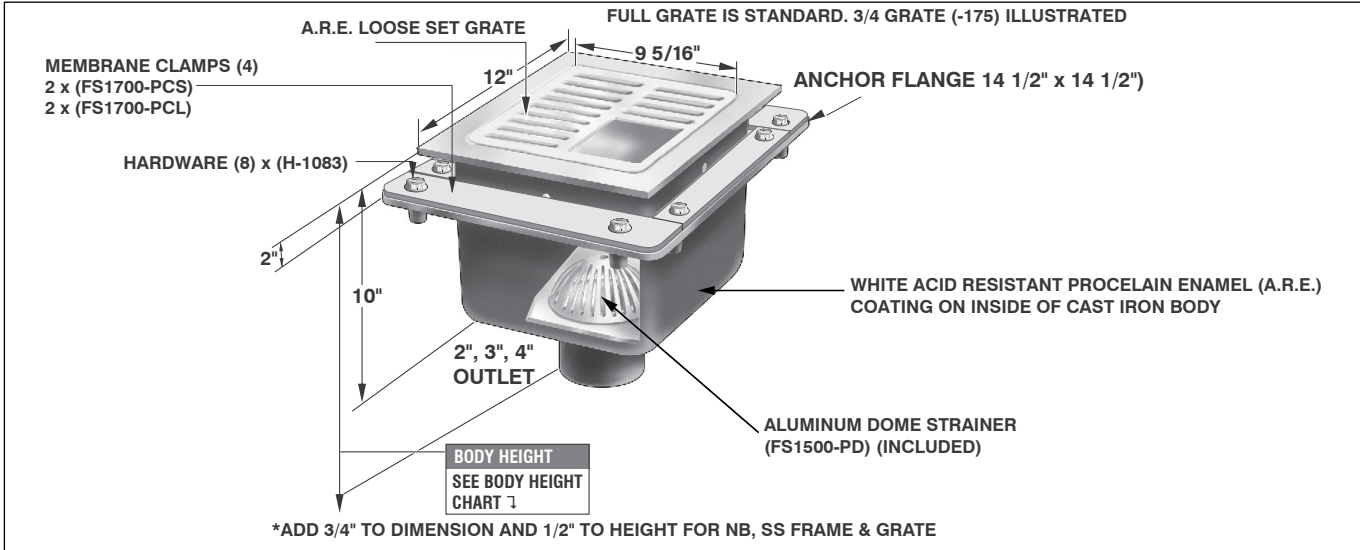


FS1740-FL

12" X 12" X 10" FLOOR AREA & INDIRECT SANITARY WASTE DRAIN WITH FLANGE

Specification: MIFAB Series FS1740-FL, 12" x 12" x 10" deep cast iron floor area and indirect sanitary waste drain complete with white acid resistant porcelain enamel coated interior, loose set grate and anchor flange with weepholes. Anti-splash aluminum dome strainer included.

Function: Used in kitchens, restaurants, grocery stores, hospitals, schools, and other areas that require a large volume sanitary drain. Also suitable for indirect waste applications. The anchor flange is engineered to receive water proofing membrane. Membrane clamps are recommended for use with the anchor flange (Suffix -C). The light duty grate is not recommended for foot traffic.



PIPE SIZE	BODY HEIGHT				
	NO HUB (STANDARD)	PUSH ON (P)	INSIDE CAULK (X)	THREADED (T)	PVC (-30) / ABS (-31)
2" (51)	11 1/2" (292)	11 1/2" (292)	*14" (356)	*12 1/2" (318)	*13 1/4" (337)
3" (76)	11 1/2" (292)	11 1/2" (292)	12 5/8" (321)	*12 7/8" (327)	*13 1/4" (337)
4" (102)	11 1/2" (292)	*12 7/8" (327)	12 5/8" (321)	*12 7/8" (327)	*13 1/4" (337)

*Indicates outlet size and connection available with transition outlet body only. Outlet sizes indicated by the * are available with the transition outlet body only.

Suffix	Description
-1	Full NB grate and frame
-3	Full SS grate and frame
-5	Sediment bucket (FS1700-PB)
-6	Security screws (H-1039A, 4 pcs) (-1, -3 only)
-7	Trap seal primer connection
-8	Backwater Valve (BV1250 Series) (2", 3", 4")
-9	Hinged grate (-3 only)
-21	Secondary flat strainer (FD-9600 Series)
-22	Less grate
-30	PVC socket connection W/A.R.E. Body (2", 3", 4")
-31	ABS socket connection W/A.R.E. body (2", 3", 4")
-32	Deep seal trap (2", 3", 4" no hub) (MI-950 Series)
-50	A.R.E. coated cast iron funnel
-51	2 1/2" round center hole in grate (-1, -3 only)
-69	Stainless steel sediment bucket (FS1500-PB-3)
-83	Stainless steel mesh screen over sediment bucket (add to S.S. Bucket)
-90	Threaded side outlet

-90NH	No hub side outlet
-95	Client logo (-1, -3 only)
-150	1/2 grate
-175	3/4 grate
-BA	Minimum 51% material cost made in the USA
-PA	Pennsylvania Steel Act compliant product
-C	Membrane clamp
-F4	4" round funnel
-F6	6" round funnel
-G	4" x 9" oval funnel
-J	3" x 1" oval funnel
P	Push on outlet (2", 3" or 4")
(Standard)	No hub outlet
T	Threaded outlet (2", 3" or 4")
X	Inside caulk outlet (2", 3" or 4")
-Z	Extended wide elastomeric flange (with -FL only)
see FS1930-FL	Stainless steel body (Type 304)
see FS1930-FL	Stainless steel body (Type 316)

CALIFORNIA PROPOSITION 65 WARNING. This product contains chemicals known to the State of California to cause cancer and birth defects or other reproductive harm.

Job Name: _____ Page No: _____
 Section No: _____ Contractor: _____
 Schedule No: _____ Purchase Order No: _____