

Location:

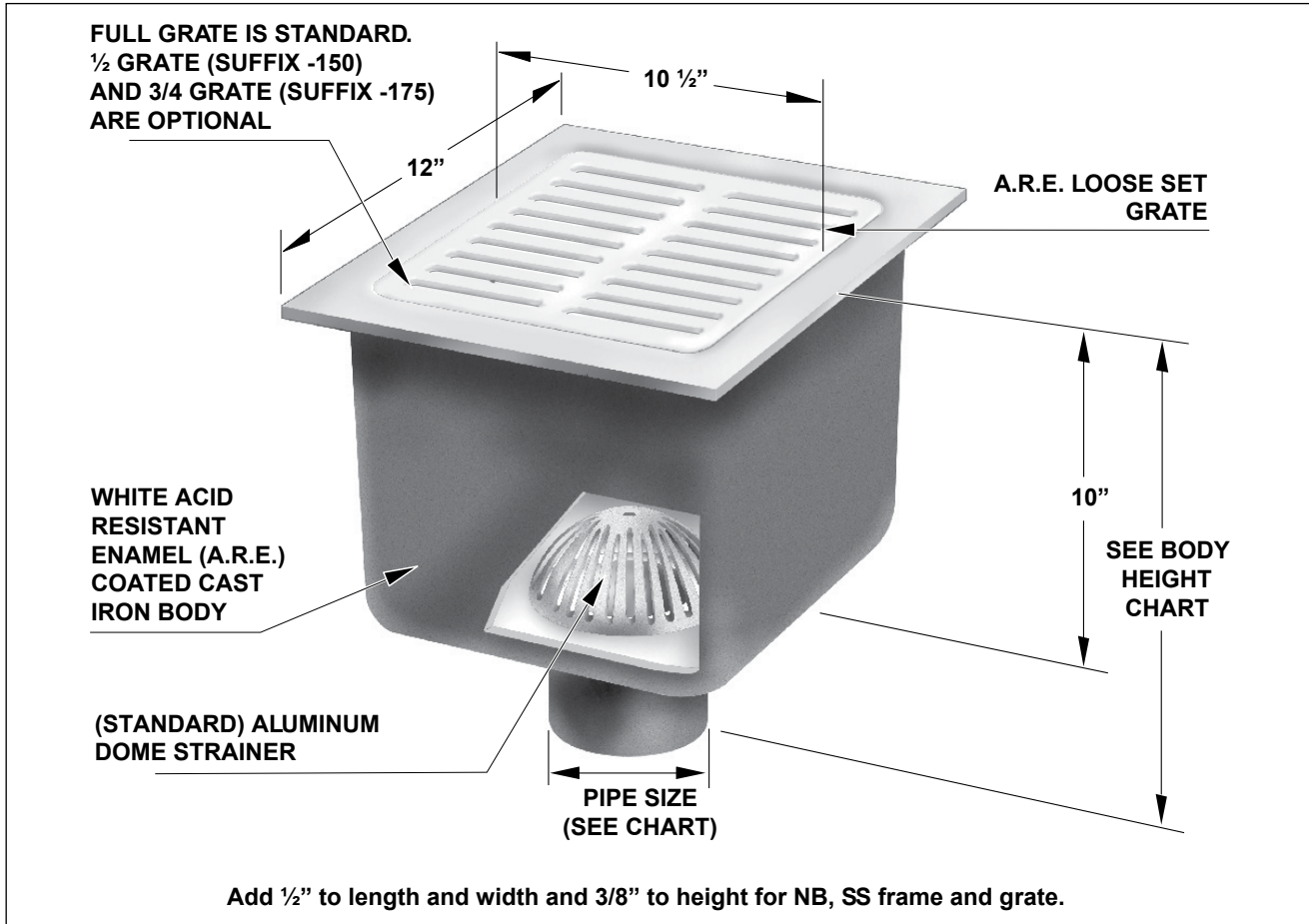


# FS740

## 12" x 12" 10" FLOOR AREA AND INDIRECT SANITARY WASTE DRAIN

**Specification:** MIFAB® Series FS740, 12" x 12" x 10" deep cast iron floor area and indirect sanitary waste drain complete with white acid resistant porcelain enamel coated interior and loose set grate. Anti-splash aluminum dome strainer included.

**Function:** Used in kitchens, restaurants, grocery stores, hospitals, schools, and other areas that require a large volume sanitary drain. Also suitable for indirect waste applications. The light duty grate is not recommended for foot traffic.



\*Indicates outlet size and connection available with transition outlet body only

\*\*4" Inside Caulk Outlet body only available with -FL anchor flange Outlet sizes indicated by the \* are available with the transition outlet body only

PIPE SIZE	BODY HEIGHT		
	NO HUB (STANDARD)	PUSH ON (P)	INSIDE CAULK (X)
2" (51)	*12 1/2" (318)	*12 7/8" (327)	*14" (356)
3" (76)	*12 1/2" (318)	*12 7/8" (327)	*14" (356)
4" (102)	*12 1/2" (318)	*12 7/8" (327)	**12 5/8" (321)

SUFFIX	OPTIONAL VARIATIONS:	SUFFIX	OPTIONAL VARIATIONS:
-22	Less grate	(Standard)	No hub outlet
-150	1/2" grate	P	Push on outlet
-175	3/4" grate	X	Inside caulk outlet

Job Name: <input type="text"/>	Page No: <input type="text"/>
Section No: <input type="text"/>	Contract: <input type="text"/>
Schedule No: <input type="text"/>	Purchase Order No: <input type="text"/>