

Location: \_\_\_\_\_



**FS720-30**

**12" SQUARE X 6" DEEP PVC FLOOR SINK**

**Specification:** PVC floor sinks are manufactured out of PVC material to provide the ultimate in sanitary design. PVC material has excellent resistance to chemicals such as the acids contained in fruits, vegetables and fats. The smooth, uniform surface is easy to clean and the floor sink will not chip or rust. PVC floor sinks are lightweight for easier handling, installation and transportation. PVC floor sinks are available with optional dome bottom strainer and with full, three-quarter or half PVC, nickel bronze or stainless steel grate configurations.

**Function:** Used in kitchens, restaurants, grocery stores, hospitals, schools, and other areas that require a large volume sanitary drain. The light duty grate is recommended for foot traffic. The PVC light duty grate is not recommended for vehicle traffic.

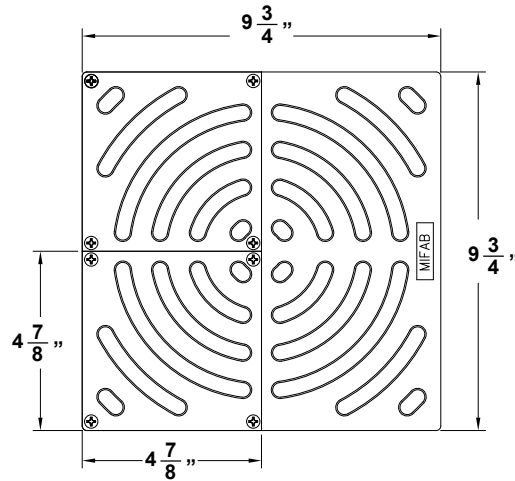
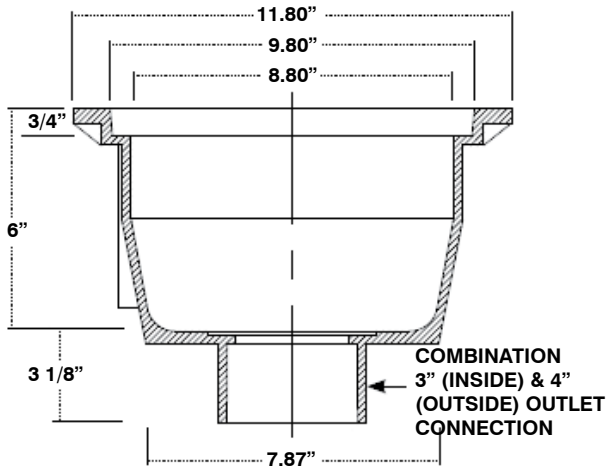
Removable quarter sections



MODEL NO.	OUTLET SIZE
FS722-30	2" Socket
FS723-30	3" Socket
FS724-30	4" Socket

**Note:** 4" outlet socket connection body fits into 4" PVC pipe and over 3" PVC pipe.

MIFAB's patented 3 in 1 sectional grate design allows for either a half, three quarter or full grate selection. U.S. Patent # 9,458,616



Suffix	Description
-1	Full NB grate and frame and frame
-3	Full SS grate and frame and frame
-5	Sediment bucket
-89	PVC dome bottom strainer (A1-PB)
-150	1/2 PVC grate
-150-1	1/2 NB grate and frame
-150-3	1/2 SS grate and frame

-175	3/4 PVC grate
-175-1	3/4 NB grate and frame
-175-3	3/4 SS grate and frame
-DS	Dome strainer lockdown device
-FLSB	Sediment bucket with stainless steel flange for tight fit in body
(Standard)	Full PVC grate

CALIFORNIA PROPOSITION 65 WARNING. This product contains chemicals known to the State of California to cause cancer and birth defects or other reproductive harm.

Job Name: \_\_\_\_\_  
 Section No: \_\_\_\_\_  
 Schedule No: \_\_\_\_\_

Page No: \_\_\_\_\_  
 Contractor: \_\_\_\_\_  
 Purchase Order No: \_\_\_\_\_