

Location: _____

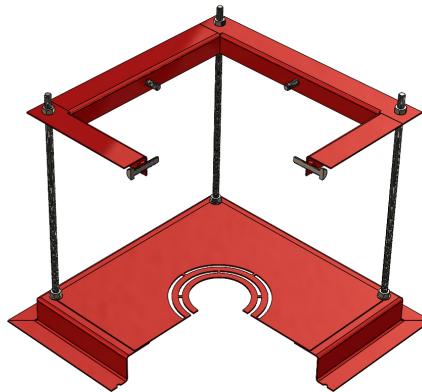
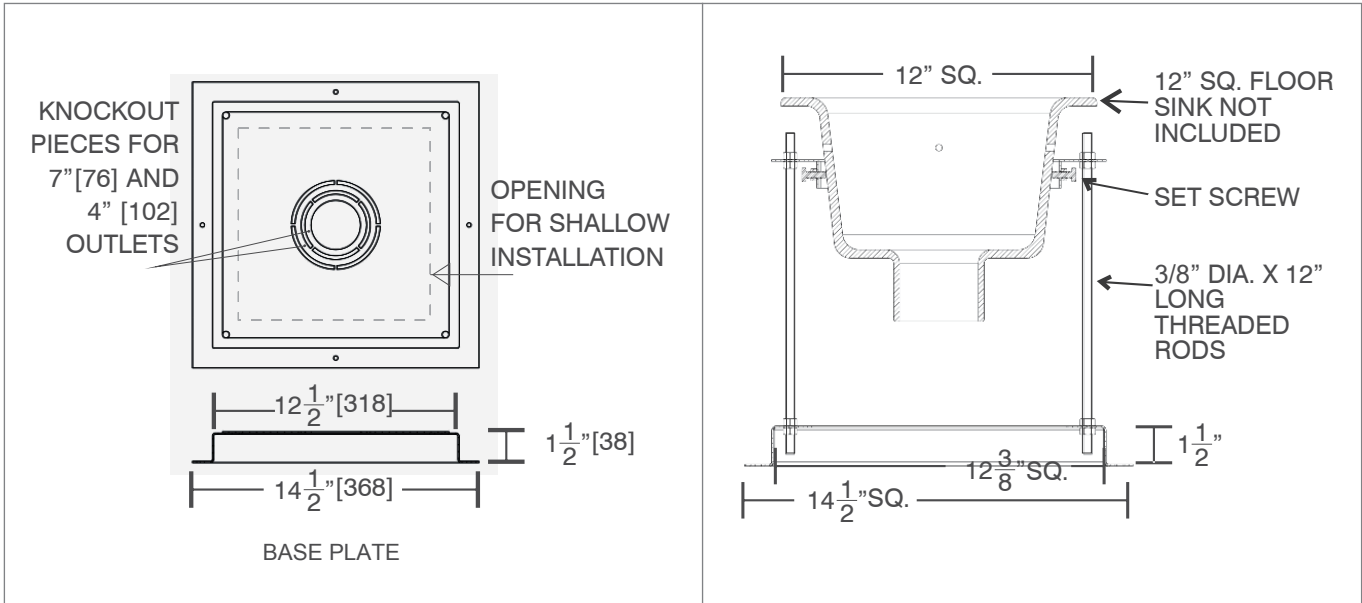


FS1960

FLOOR SINK INSTALLATION STABILIZATION PLATE – FOR 12”X 12” FLOOR SINKS

Specification: MIFAB Series FS1960, 16 gauge, fabricated steel, electrostatically applied powder epoxy coated floor sink installation stabilization plate. 14 1/2” square and 1 1/2” high. Complete with four 3/8” all threaded rods and adjustable knock outs to accommodate 3” and 4” outlet connections.

Function: Used in areas to support an 12” x 12” floor sink off of the structural slab.



STABILIZING PLATE FOR 8” X 8” FLOOR SINKS

MODEL NO.	PIPE SIZE	PIPE OPENING DIAMETER
FS1962	2”	2 9/16”
FS1963	3”	3 11/16”
FS1964	4”	4 11/16”

CALIFORNIA PROPOSITION 65 WARNING. This product contains chemicals known to the State of California to cause cancer and birth defects or other reproductive harm.

Job Name: _____
 Section No: _____
 Schedule No: _____

Page No: _____
 Contractor: _____
 Purchase Order No: _____