

Location: _____

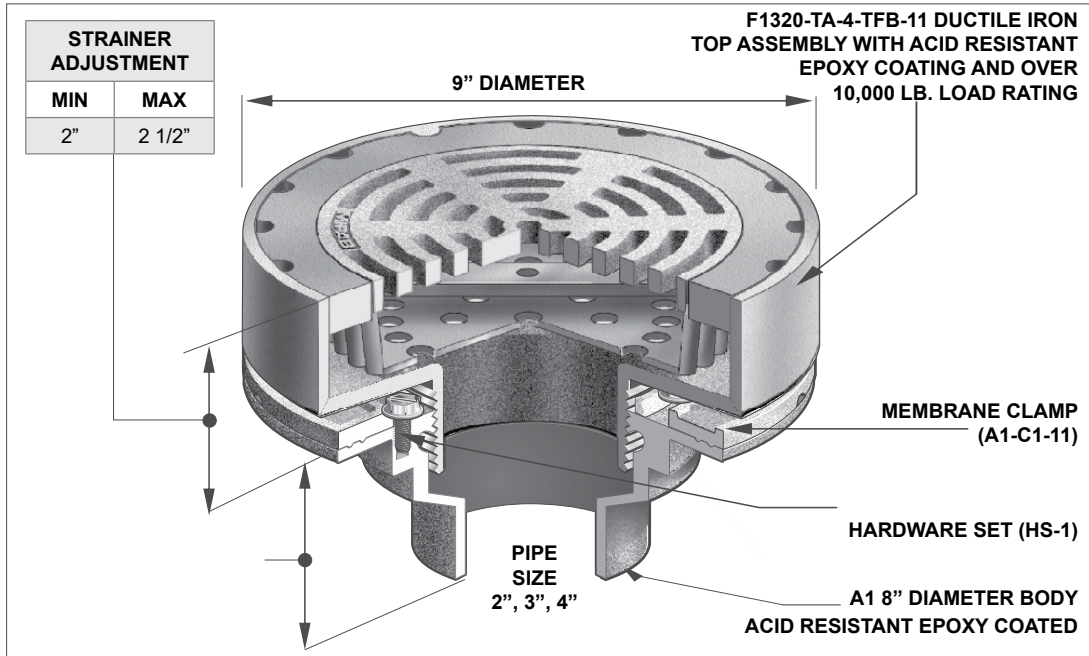


FS1950

9" ROUND SHALLOW FLOOR SINK

Specification: MIFAB Series FS1950, 9" round, shallow, cast iron floor sink with acid resistant electrostatically applied epoxy coated body, grate and integral sediment bucket.

Function: Used in areas that require a sanitary coated, shallow body for indirect waste applications.



*Add 3/8" to 9" Strainer Diameter and 3/16" to Strainer Height for NB or SS Veneer

PIPE SIZE	A1 BODY HEIGHT				
	NO HUB (STANDARD)	PUSH ON (P)	INSIDE CAULK (X)	THREADED (T)	PVC (-30) / ABS (-31)
2" (51)	3" (76)	3 3/8" (86)	3 3/4" (95)	2 1/4" (57)	2 5/8" (67)
3" (76)	3" (76)	3 3/8" (86)	3 3/4" (95)	2 5/8" (67)	3 1/4" (83)
4" (102)	3" (76)	3 3/8" (86)	3 1/2" (89)	2 5/8" (67)	3 1/2" (89)
5" (127)	3" (76)	-	6 7/8" (175)	2 5/8" (67)	-
6" (152)	3 1/2" (89)	6 7/8" (175)	-	-	-

Suffix	Description
-1	Full NB grate and frame
-3	Full SS grate and frame
-5	Sediment bucket
-6	Security screws (H-1039A, 4 pcs) (-1, -3 only)
-7	Trap seal primer connection
-8	Backwater Valve (BV1250 Series) (2", 3", 4")
-9	Hinged grate (-3 only)
-21	Secondary flat strainer (FD-9600 Series)
-22	Less grate
-30	PVC socket connection W/A.R.E. Body (2", 3", 4")
-31	ABS socket connection W/A.R.E. body (2", 3", 4")
-32	Deep seal trap (2", 3", 4" no hub) (MI-950 Series)
-50	A.R.E. coated cast iron funnel
-51	2 1/2" round center hole in grate (-1, -3 only)
-69	Stainless steel sediment bucket (FS1500-PB-3)
-83	Stainless steel mesh screen over sediment bucket (add to S.S. Bucket)

-90	Threaded side outlet
-90NH	No hub side outlet
-95	Client logo (-1, -3 only)
-150	1/2 grate
-175	3/4 grate
-BA	Minimum 51% material cost made in the USA
-PA	Pennsylvania Steel Act compliant product
-C	Membrane clamp
-F4	4" round funnel
-F6	6" round funnel
-G	4" x 9" oval funnel
-J	3" x 1" oval funnel
P	Push on outlet (2", 3" or 4")
(Standard)	No hub outlet
T	Threaded outlet (2", 3" or 4")
X	Inside caulk outlet (2", 3" or 4")
-Z	Extended wide elastomeric flange (with -FL only)

CALIFORNIA PROPOSITION 65 WARNING. This product contains chemicals known to the State of California to cause cancer and birth defects or other reproductive harm.

Job Name: _____
 Section No: _____
 Schedule No: _____

Page No: _____
 Contractor: _____
 Purchase Order No: _____