

Location: _____

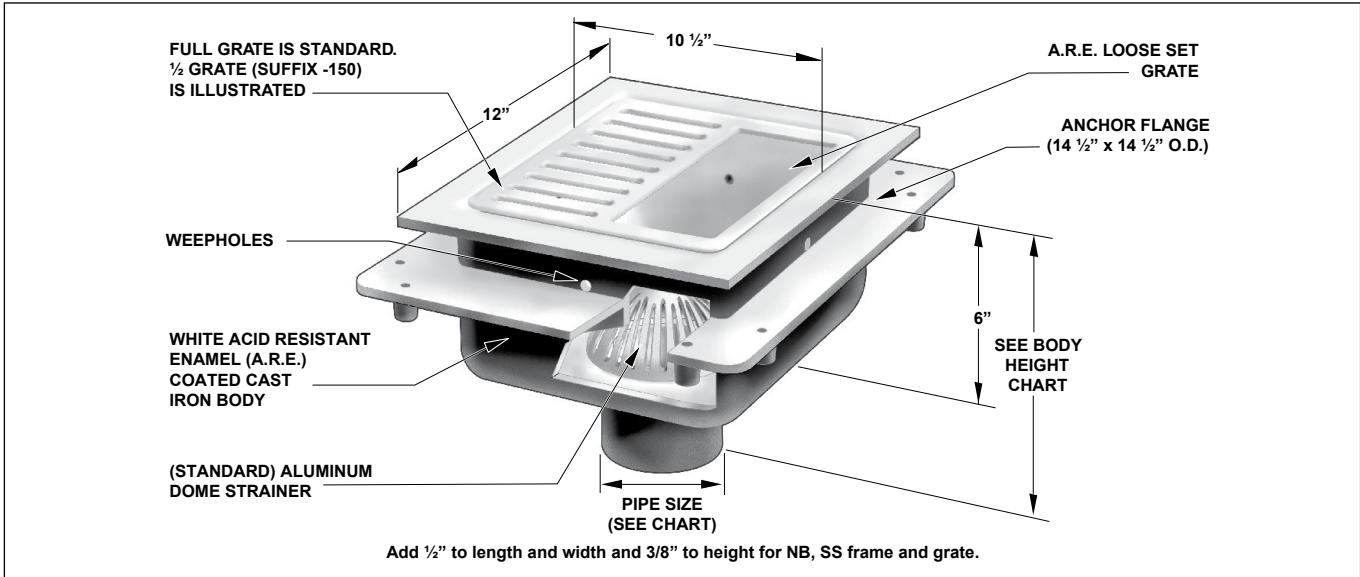


FS1720-FL

12" X 12" X 6" FLOOR AREA & INDIRECT SANITARY WASTE DRAIN WITH FLANGE

Specification: MIFAB® Series FS1720-FL, 12" x 12" x 6" deep cast iron floor area and indirect sanitary waste drain complete with white acid resistant porcelain enamel coated interior and light duty loose set grate and anchor flange with weepholes. Anti-splash aluminum dome strainer included.

Function: Used in kitchens, restaurants, grocery stores, hospitals, schools, and other areas that require a large volume sanitary drain. The anchor flange is engineered to receive water proofing membrane. Membrane clamps are recommended for use with the anchor flange (Suffix -C).



PIPE SIZE	BODY HEIGHT				
	NO HUB (STANDARD)	PUSH ON (P)	THREADED (T)	INSIDE CAULK (X)	PVC (-30) / ABS (-31)
2" (51)	7 3/4" (197)	7 3/4" (197)	*8 1/2" (216)	8 5/8" (219)	*9 1/4" (235)
3" (76)	7 3/4" (197)	7 3/4" (197)	*8 7/8" (225)	8 5/8" (219)	*9 1/4" (235)
4" (102)	7 3/4" (197)	7 3/4" (197)	*8 7/8" (225)	8 5/8" (219)	*9 1/4" (235)

*Indicates outlet size and connection available with transition outlet body only. Outlet sizes indicated by the * are available with the transition outlet body only

Suffix	Description
-1	Nickel bronze frame and grate
-3	Stainless steel frame and grate
-5	Sediment bucket
-6	Security screws (1, -3 only, T-20 Torx and pin)
-7	1/2" trap seal primer connection
-8	Backwater valve (2", 3" or 4" only)
-9	Hinged grate (-3 only)
-21	Secondary flat stainless steel strainer
-22	Less grate
see FS1920-FL	Stainless steel body (Type 304)
see FS1920-FL	Stainless steel body (Type 316)
-30	PVC outlet
-31	ABS outlet
-32	Deep seal trap with flushing connection
-50	A.R.E. coated cast iron funnel
-51	2 1/2" round center hole in grate (-1, -3 only)
-69	Stainless steel sediment bucket
-83	Stainless steel mesh screen over sediment bucket

-90	Threaded side outlet
-90NH	No hub side outlet
-95	Client logo (-1, -3 only)
-150	1/2" PVC grate
-175	3/4" PVC grate
-BA	Minimum 51% material cost made in the USA
(Standard)	No hub outlet
-C	Membrane clamp with hardware
-F4	4" round funnel
-F6	6" round funnel
-FL	Anchor flange
-G	4" x 9" oval funnel
-J	3" x 1" oval funnel
-P	Push on outlet
-PA	Pennsylvania Steel Act compliant product
-T	Threaded outlet
X	Inside caulk outlet
-Z	Extended wide elastomeric flange (with -FL only)

CALIFORNIA PROPOSITION 65 WARNING. This product contains chemicals known to the State of California to cause cancer and birth defects or other reproductive harm.

Job Name: _____
 Section No: _____
 Schedule No: _____

Page No: _____
 Contractor: _____
 Purchase Order No: _____