

Location: _____

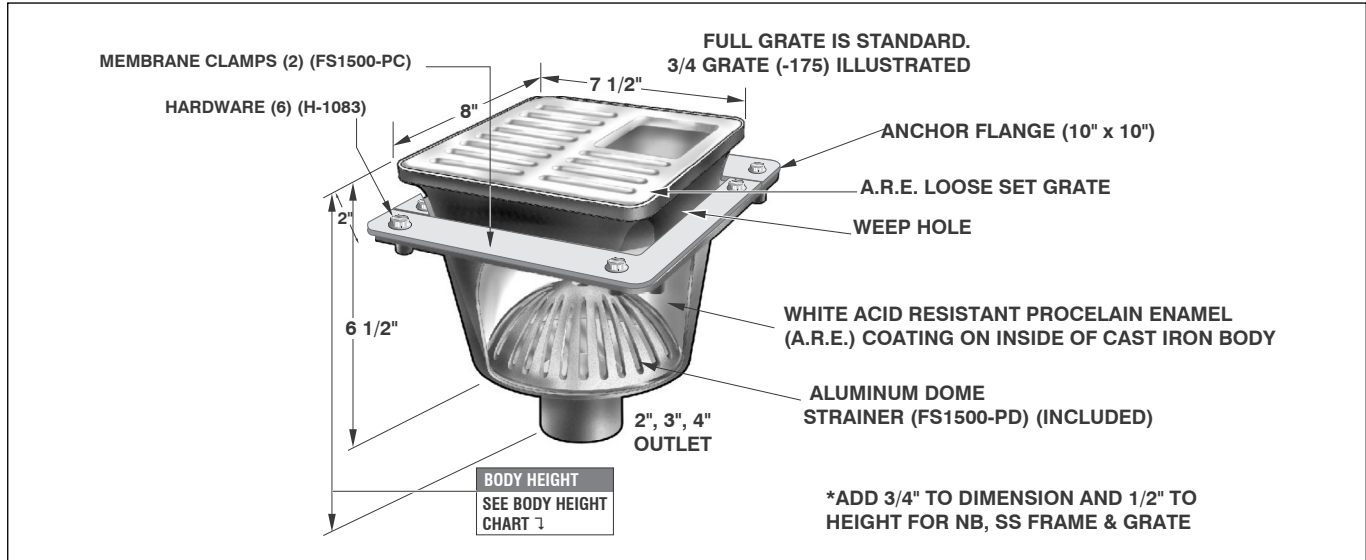


FS1520-FL

8" X 8" X 6" FLOOR AREA AND INDIRECT SANITARY WASTE DRAIN WITH FLANGE

Specification: MIFAB Series FS1520-FL, 8" x 8" x 6" deep cast iron floor area and indirect sanitary waste drain complete with white acid resistant porcelain enamel coated interior and light duty loose set grate and anchor flange with weepholes. Anti-splash aluminum dome strainer included.

Function: Used in kitchens, restaurants, grocery stores, hospitals, schools, and other areas that require a medium volume sanitary drain. The anchor flange is engineered to receive water proofing membrane. Membrane clamps are recommended for use with the anchor flange (Suffix -C).



PIPE SIZE	BODY HEIGHT				
	NO HUB (STANDARD)	PUSH ON (P)	INSIDE CAULK (X)	THREADED (T)	PVC (-30) / ABS (-31)
2" (51)	7 3/4" (197)	7 3/4" (197)	8 5/8" (219)	*8 1/2" (216)	*9 1/4" (235)
3" (76)	7 3/4" (197)	7 3/4" (197)	8 5/8" (219)	*8 7/8" (225)	*9 1/4" (235)
4" (102)	7 3/4" (197)	7 3/4" (197)	8 5/8" (219)	*8 7/8" (225)	*9 1/4" (235)

*Indicates outlet size and connection available with transition outlet body only.

** 4" Inside Caulk outlet body only available with -FL anchor flange (as a std. body design not transition).

Suffix	Description
-1	Full NB grate and frame
-3	Full SS grate and frame
-5	Sediment bucket (FS1500-PB)
-6	Security screws (H-1039A, 4 pcs) (-1, -3 only)
-7	Trap seal primer connection
-8	Backwater Valve (BV1250 Series) (2", 3", 4")
-9	Hinged grate (-3 only)
-21	Secondary flat strainer (FD-9600 Series)
-22	Less grate
-30	PVC socket connection W/A.R.E. Body (2", 3", 4")
-31	ABS socket connection W/A.R.E. body (2", 3", 4")
-32	Deep seal trap (2", 3", 4" no hub) (MI-950 Series)
-50	A.R.E. coated cast iron funnel
-51	2 1/2" round center hole in grate (-1, -3 only)
-69	Stainless steel sediment bucket (FS1500-PB-3)
-83	Stainless steel mesh screen over sediment bucket (add to S.S. Bucket)
-90	Threaded side outlet
-90NH	No hub side outlet
-95	Client logo (-1, -3 only)
-150	1/2 grate
-175	3/4 grate
-BA	Buy American Act compliant product
-PA	Pennsylvania Steel Act compliant product
-C	Membrane clamp
-F4	4" round funnel
-F6	6" round funnel
-G	4" x 9" oval funnel
-J	3" x 1" oval funnel
P	Push on outlet (2", 3" or 4")
(Standard)	No hub outlet
T	Threaded outlet (2", 3" or 4")
X	Inside caulk outlet (2", 3" or 4")
-Z	Extended wide elastomeric flange (with -FL only)

CALIFORNIA PROPOSITION 65 WARNING. This product contains chemicals known to the State of California to cause cancer and birth defects or other reproductive harm.

Job Name: _____ Page No: _____
 Section No: _____ Contractor: _____
 Schedule No: _____ Purchase Order No: _____