

Location: \_\_\_\_\_



# FCV

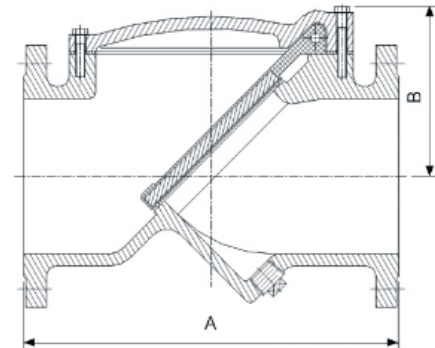
# FLEX CHECK VALVE

**Purpose:** The Beeco Flex Check Valve is designed to mitigate disc slam. Since the disc only has to travel approximately 35 degrees from a full open position to a fully closed position, the disc will close before flow reversal occurs in most applications.

**Features:** The Beeco Flex Check Valve utilizes an angled seat and fully encapsulated, resilient disc. It is capable of handling a wide range of fluids including flows containing suspended solids.

**Installation:** The Beeco Flex Check Valve may be installed in horizontal or vertical flow-up applications. When horizontal, however, the valve must be installed with the nameplate facing up and the cover level. In all installations, the flow arrow cast in the valve cover must be pointed in the direction of flow during normal system operation.

## FCV6.00



**Note:** All our flex check valves are epoxy coated inside and out.

Part Name	Material	EN Spec.	ASTM Spec.
Body	Cast Iron for DN50 to DN300	EN-JL1040	A126 Class B
	Ductile Iron for DN350 to Above	EN-JS1050	A536 65-45-12
Cover	Cast Iron for DN50 to DN300	EN-JL1040	A126 Class B
	Ductile Iron for DN350 to Above	EN-JS1050	A536 65-45-12
Disc	Ductile Iron EPDM/NBR/Viton Coated	EN-JS1050	A536 65-45-12
Gasket	NBR/EPDM/Viton	Commercial	Commercial
Plug	Malleable Iron	Commercial	Commercial

Model No.	Size	A	B
FCV2.00	2"	7.99"	3.74"
FCV2.50	2 1/2"	8.50"	3.74"
FCV3.00	3"	9.57"	4.33"
FCV4.00	4"	11.50"	4.76"
FCV5.00	5"	13.74"	5.79"
FCV6.00	6"	15.00"	5.79"
FCV8.00	8"	19.49"	8.74"
FCV10.00	10"	24.49"	10.24"
FCV12.00	12"	27.52"	11.50"
FCV14.00	14"	30.98"	13.11"
FCV16.00	16"	32.01"	15.39"
FCV18.00	18"	35.98"	17.13"
FCV20.00	20"	40.00"	19.13"
FCV24.00	24"	47.99"	22.76"

CALIFORNIA PROPOSITION 65 WARNING. This product contains chemicals known to the State of California to cause cancer and birth defects or other reproductive harm.

Job Name: \_\_\_\_\_ Page No: \_\_\_\_\_

Section No: \_\_\_\_\_ Contractor: \_\_\_\_\_

Schedule No: \_\_\_\_\_ Purchase Order No: \_\_\_\_\_