

Location: \_\_\_\_\_

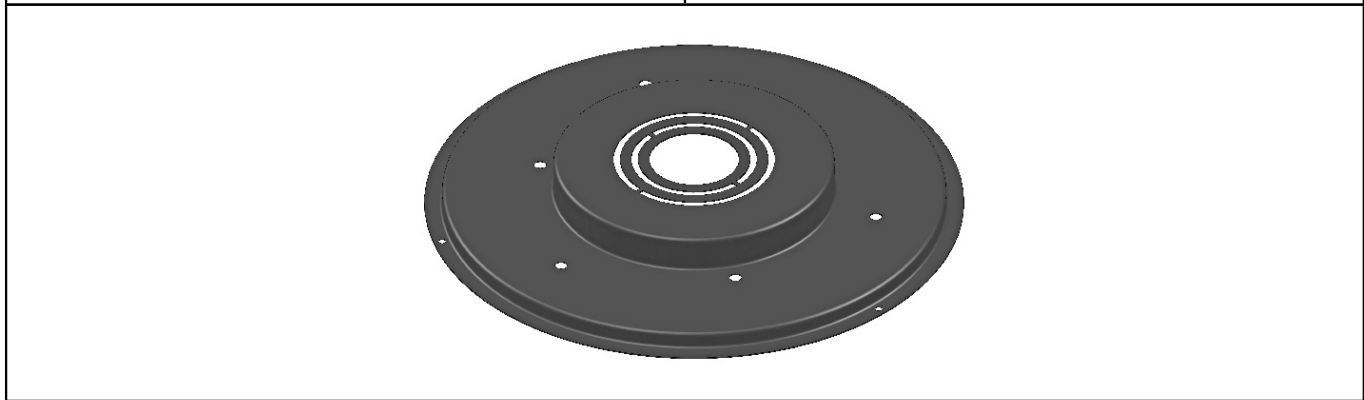
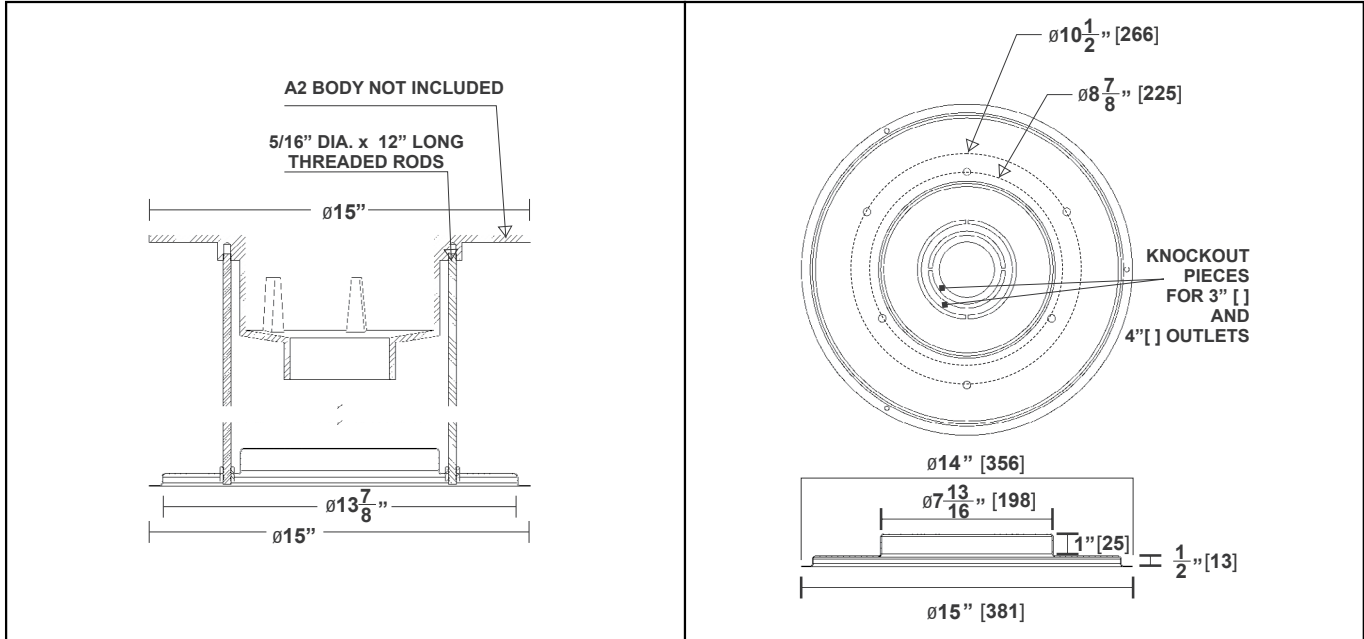


# F1920

## FLOOR DRAIN INSTALLATION STABILIZING PLATE FOR A2 BODIES

**Specification:** MIFAB® F1920 floor drain stabilization plate manufactured out of 16 gauge galvanized, acid resistant, epoxy coated steel. The plate is 15" in diameter by 1 1/2" high with a variable pipe opening, six support stud holes, three nail holes and three pieces of 5/16" diameter x 12" long threaded support rods.

**Function:** To support MIFAB's A2 Series of 2", 3" and / or 4" outlet connection modular floor drain, area drain, cleanout and small roof drain body off the slab or deck.



MODEL NUMBER	PIPE SIZE	PIPE OPENING DIAMETER
F1922	2"	2 9/16"
F1923	3"	3 11/16"
F1924	4"	4 11/16"

CALIFORNIA PROPOSITION 65 WARNING. This product contains chemicals known to the State of California to cause cancer and birth defects or other reproductive harm.

Job Name: \_\_\_\_\_ Page No: \_\_\_\_\_  
 Section No: \_\_\_\_\_ Contractor: \_\_\_\_\_  
 Schedule No: \_\_\_\_\_ Purchase Order No: \_\_\_\_\_