

Location: _____

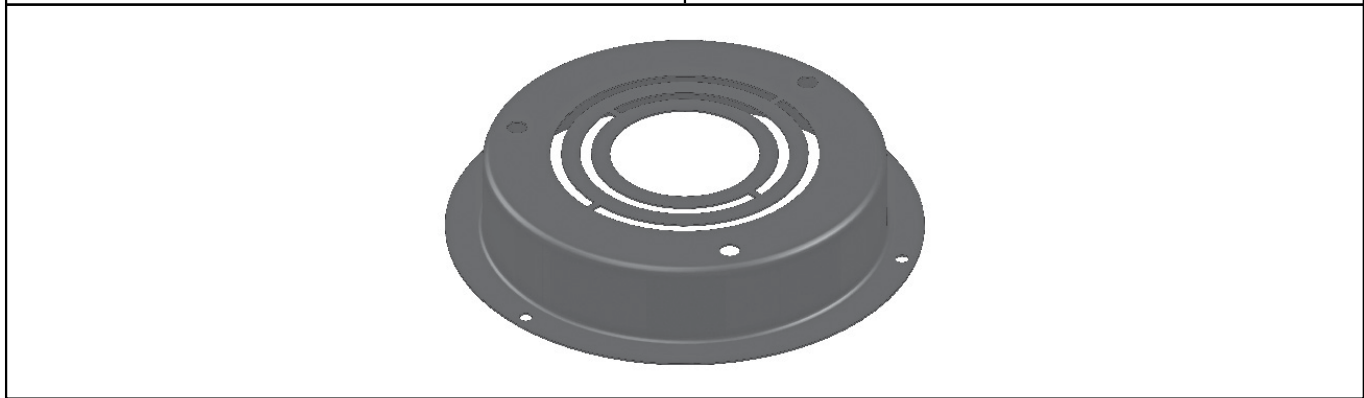
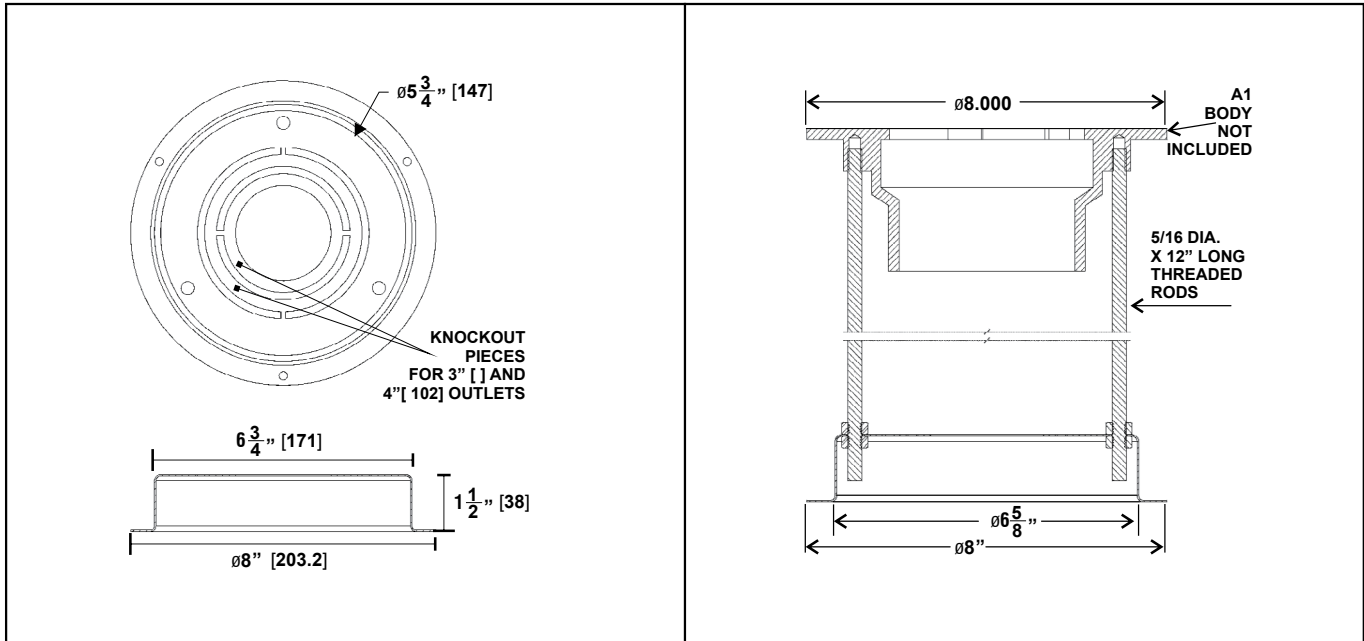


F1900

FLOOR DRAIN INSTALLATION STABILIZING PLATE FOR A1 BODIES

Specification: MIFAB® F1900 floor drain stabilization plate manufactured out of 16 gauge galvanized, acid resistant, epoxy coated steel. The plate is 8" in diameter by 1 1/2" high with a variable pipe opening, three support stud holes, three nail holes and three pieces of 5/16" diameter x 12" long threaded support rods.

Function: To support MIFAB's A1 Series of 2", 3" and / or 4" outlet connection modular floor drain, area drain, cleanout and small roof drain body off the slab or deck.



MODEL NUMBER	PIPE SIZE	PIPE OPENING DIAMETER
F1902	2"	2 9/16"
F1903	3"	3 11/16"
F1904	4"	4 11/16"

CALIFORNIA PROPOSITION 65 WARNING. This product contains chemicals known to the State of California to cause cancer and birth defects or other reproductive harm.

Job Name: _____ Page No: _____
 Section No: _____ Contractor: _____
 Schedule No: _____ Purchase Order No: _____