

Location: _____

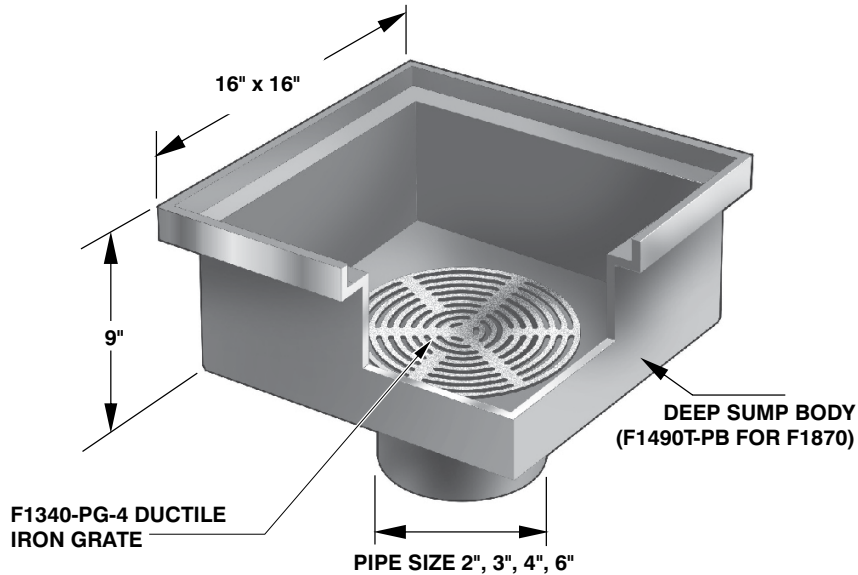


F1870

16" SQUARE OPEN HOPPER DRAIN WITH LOOSE SET BOTTOM GRATE

Specification: MIFAB® Series F1870 16" square open top drain with lacuqered cast iron body and loose set ductile iron bottom rate.

Function: Used in areas that are not traffic prone to provide drainage of water from objects placed into the hopper



PARTS	A3-PG	A1 BODY	F1490T-PB BODY (F1870)	F1340-PG-(*) (F1870)

F1860 12" SQUARE OPEN HOPPER DRAIN WITH LOOSE SET BOTTOM GRATE

PIPE SIZE	Weight Lbs.	BODY HEIGHT - NO HUB (STANDARD)
2" (51)	30	11" (279)
3" (76)	30	11" (279)
4" (102)	30	11" (279)
6" (152)	30	11" (279)

SUFFIX	OPTIONAL VARIATIONS
-5	Sediment bucket
-11	Acid resistant epoxy coated body
-13	All galvanized
-16-1	Nickel bronze floor level square grate (vener)

-16-3	Stainless steel floor level square grate (vener)
-16-4	Ductile floor level square grate
-21	Secondary flat stainless steel strainer (2", 3", 4")
-FL	Anchor flange
-FLC	Anchor flange and membrane clamp

CALIFORNIA PROPOSITION 65 WARNING. This product contains chemicals known to the State of California to cause cancer and birth defects or other reproductive harm.

Job Name: _____ Page No: _____
 Section No: _____ Contractor: _____
 Schedule No: _____ Purchase Order No: _____