

Location: \_\_\_\_\_

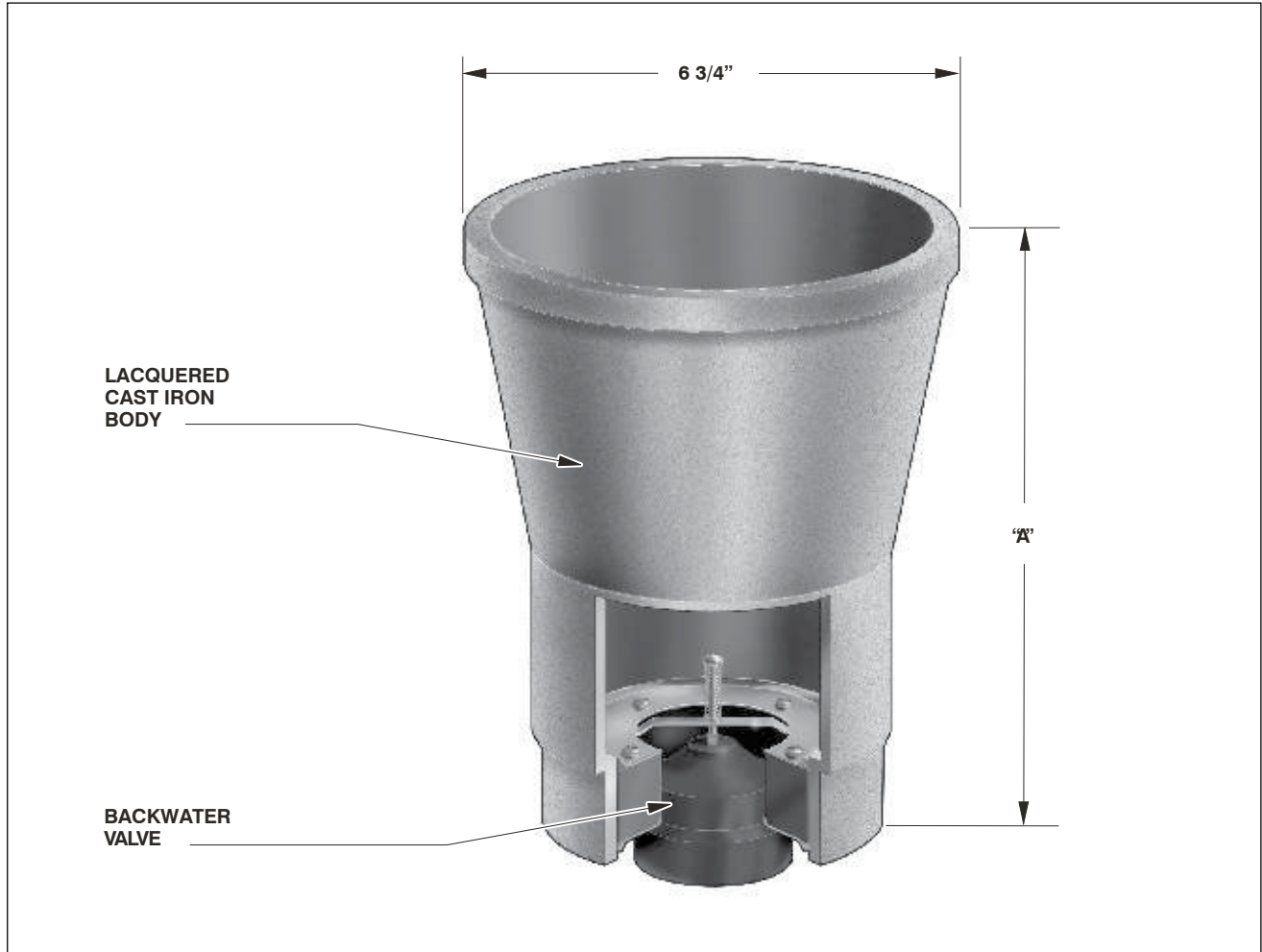


**F1790**

**INDIRECT WASTE FUNNEL WITH BACKWATER VALVE**

**Specification:** MIFAB® Series F1790 lacquered cast iron indirect waste funnel with backwater valve.

**Function:** Used in hospitals and laboratories with indirect waste lines installed above the floor. The funnel will receive condensate, drip or waste water from the indirect waste lines. MIFAB's MI-950 deep seal trap connected to MIFAB's M-500 Series of trap seal primers are recommended for use with the F1790 to prevent sewer gases from entering the room.



PIPE SIZE	BODY HEIGHT "A"		
	NO HUB (STANDARD)	PUSH ON (P)	PVC / ABS (-30) / (-31)
2" (51)	10" (254)	10 3/8" (263)	10 3/8" (263)
3" (76)	10" (254)	10 3/8" (263)	10 3/8" (263)
4" (102)	10" (254)	10 3/8" (263)	10 3/8" (263)
6" (152)	8 3/4" (222)	-	-

**SUFFIX      OPTIONAL VARIATIONS**  
 -11      Acid resistant epoxy coated body  
 -13      Galvanized body  
 -21      Secondary flat stainless steel strainer (2", 3", 4")  
 -30      PVC socket connection body  
 -31      ABS socket connection body

**SUFFIX      OPTIONAL VARIATIONS**  
 -BA      Minimum 51% material cost made in the USA  
 (Standard)      No hub outlet  
 -MG      MI-GARD Floor Drain Trap Sealer (2", 3" or 4")  
 -P      Push on outlet  
 -PA      Pennsylvania Steel Act compliant product

Job Name: \_\_\_\_\_ Page No: \_\_\_\_\_  
 Section No: \_\_\_\_\_ Contractor: \_\_\_\_\_  
 Schedule No: \_\_\_\_\_ Purchase Order No: \_\_\_\_\_