

Location: _____

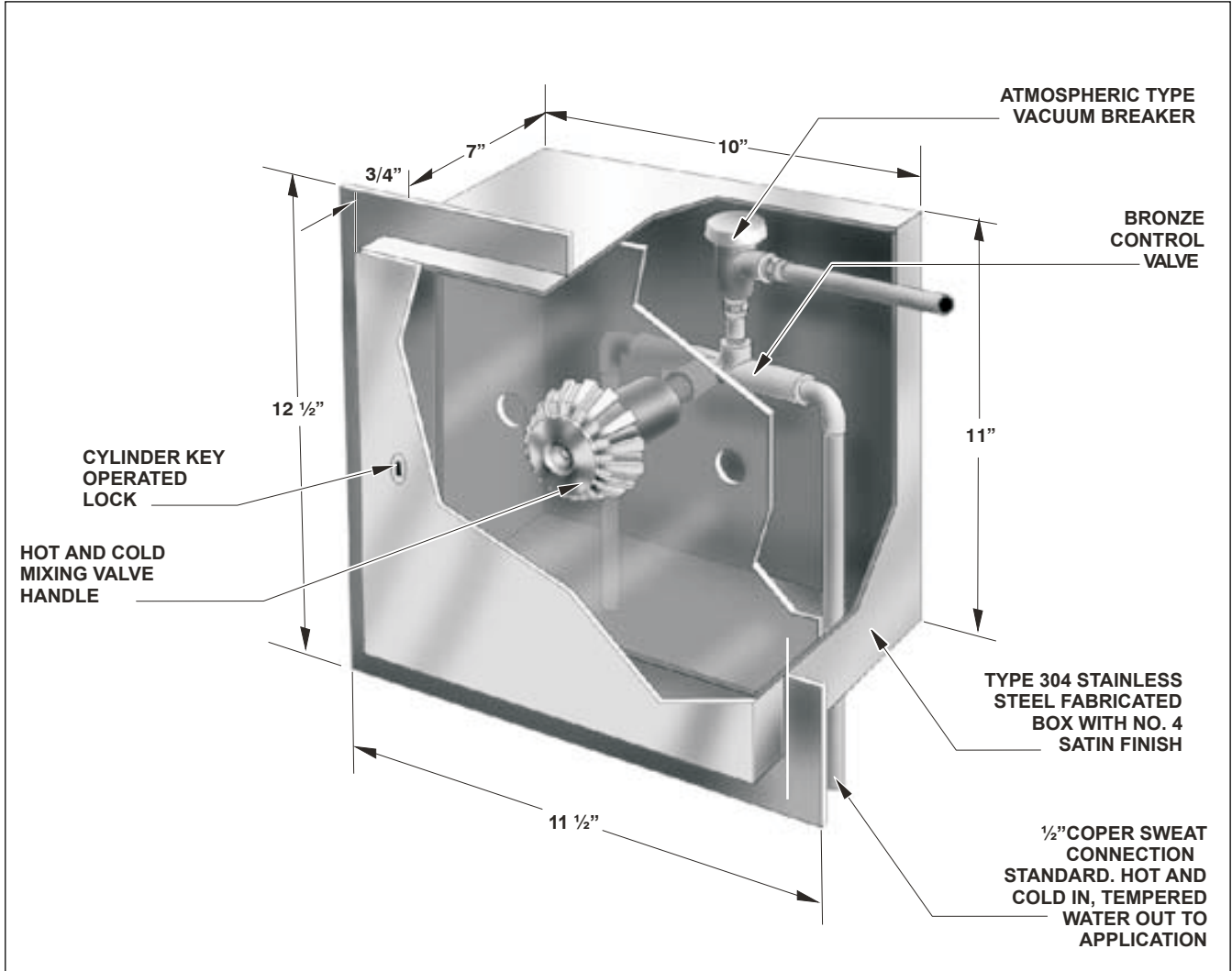


F1670

WATER SUPPLY CONTROL BOX

Specification: MIFAB® Series F1670 water supply control box manufactured with No. 4 satin finished type #304 stainless steel. Box complete with cylinder lock, hinged door, bronze control valves, screwdriver stops, and atmospheric type vacuum breaker.

Function: Used to supply hot, cold or tempered water to garbage can washing drains (F1350-Y-36), flushing rim drains (F1650, F1650-G, F1660) or others requiring a water supply. The cylinder key lock hinged door protects the internal parts from vandalism. The hot and cold water supplies are standard with integral screwdriver stops to permit easy maintenance of the control valves by not having to shut off the main water supply.



SUFFIX	OPTIONAL VARIATIONS
-BA	Buy American Act compliant product
-LM	Less internal assembly (vacuum breaker and mixing valve)
-PA	Pennsylvania Steel Act compliant product
-S	Surface mounted

Job Name: _____ Page No: _____
Section No: _____ Contractor: _____
Schedule No: _____ Purchase Order No: _____