

Location: _____

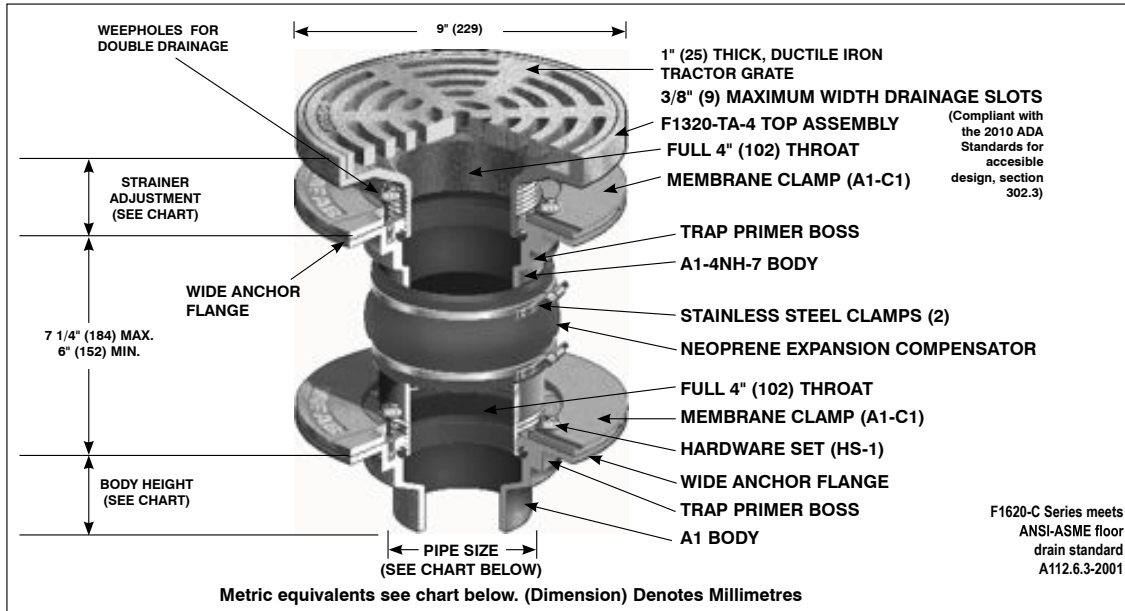


F1620-C

ISOLATION FLOOR DRAIN WITH 9" ADJUSTABLE STRAINER TRACTOR GRATE

Specification: MIFAB® Series F1620-C lacquered cast iron floor drain with upper and lower bodies and anchor flanges, cast iron membrane clamp rings with primary and secondary weepholes for waterproofing membrane, neoprene expansion compensator, and standard 1" (25) thick, 9" (229) round, tractor grate.

Function: Used in computer rooms, data centers, industrial laboratories and other membrane finished areas where cables and wiring are located in the sub floor. The flexible flooring requires the drain to have a bottom outlet connected to the waste piping and a top strainer level with the finished floor. The neoprene expansion compensator that connects the two will flex with the floor. Membrane clamp is provided to secure the waterproofing membrane.



STRAINER SIZE	STRAINER ADJUSTMENT		ANSI/ASME RATING		PIPE SIZE	BODY HEIGHT				
	MIN	MAX	FREE AREA	LOAD RATING N.B. (-1) / S.S. (-3) / D.I. (-4)		NO HUB (STANDARD)	PUSH ON (P)	THREADED (T)	INSIDE CAULK (X)	PVC/ABS (-30)/(-31)
9" (229)	2 13/16" (71)	3 11/16" (94)	18 in ² (11613 ²)	ANSI/ASME	2" (51)	3" (76)	3 3/8" (86)	2 1/4" (57)	3 3/4" (95)	2 15/16" (75)
				LOAD CLASS	3" (76)	3" (76)	3 3/8" (86)	2 5/8" (67)	3 3/4" (95)	3 3/4" (95)
				"SPECIAL DUTY"	4" (102)	3" (76)	3 3/8" (86)	2 5/8" (67)	3 3/4" (95)	3 3/4" (95)
				(OVER 10,000 LBS.)	5" (127)	3" (76)	--	2 5/8" (67)	3 3/4" (95)	--
					6" (152)	3 1/4" (83)	6 1/2" (165)	--	--	--

- SUFFIX OPTIONAL VARIATIONS**
- 1 Nickel bronze strainer (vener)
 - 3 Stainless steel strainer (vener)
 - 4 Ductile iron strainer
 - 5 Sediment bucket
 - 6 Security screws (T-20 Torx & pin)
 - 7 1/2" trap seal primer connection
 - 8 Backwater valve (2", 3", 4")
 - 11 Acid resistant epoxy coated body
 - 13 Galvanized body
 - 15 Extension
 - 16 Square top
 - 21 Secondary flat stainless steel strainer (2", 3", 4")
 - 28 Stainless steel body (Type 304)
 - 30 PVC socket connection body
 - 31 ABS socket connection body
 - 32 2", 3", 4" integral deep seal trap
 - 34 Closure plug
 - 40 Underdeck clamp
 - 41 Sump receiver

- SUFFIX OPTIONAL VARIATIONS**
- 50 Lacquered cast iron funnel
 - 90 Threaded side outlet (2", 3", 4")
 - 90NH No hub side outlet (2", 3", 4")
 - 95 Client logo
 - BA Buy American Act compliant product
 - C2 High rough-in membrane clamp (min. 1 9/16" (40))
 - F4 4" Round funnel
 - F6 6" Round funnel
 - G Oval 4" x 9" funnel
 - HP Heel proof grate (1/4" maximum grate opening size, -3 only)
 - J 6" x 3" x 1" funnel
 - (Standard) No hub outlet
 - MG MI-GARD Floor Drain Trap Sealer (2", 3" or 4")
 - P Push on outlet
 - PA Pennsylvania Steel Act compliant product
 - T Threaded outlet (2", 3", 4")
 - X Inside caulk outlet
 - Z Extended wide elastomeric flange

Job Name: _____ Page No: _____

Section No: _____ Contractor: _____

Schedule No: _____ Purchase Order No: _____