

Location: _____

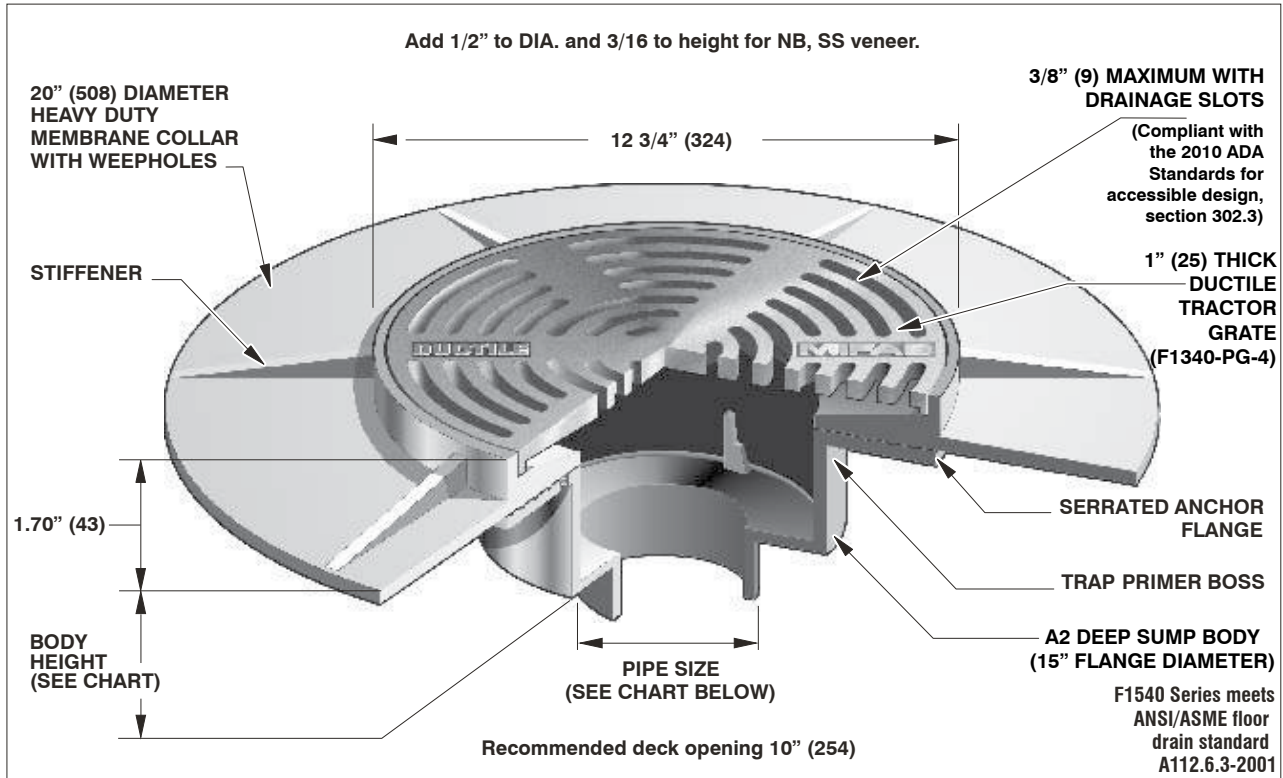


F1540

FLOOR DRAIN WITH 12" ROUND HEAVY DUTY TRACTOR GRATE WITH DEEP SUMP AND HEAVY DUTY MEMBRANE COLLAR

Specification: MIFAB® Series F1540 lacquered cast iron floor drain with anchor flange, 20" (508) diameter fixed, heavy duty membrane collar with weepholes and standard 1" (25) thick, 12" (305) round, (specify material finish) tractor grate.

Function: Used in parking garages with precast construction where core drilling or the boxing out of the drain is required. 12" round tractor grate is used with all types of poured finished floors. The wide reinforced anchor flange provides maximum support for drain.



STRAINER DIAMETER	ANSI/ASME RATING		PIPE SIZE	BODY HEIGHT				
	FREE AREA	LOAD RATING		NO HUB (STANDARD)	PUSH ON (P)	THREADED (T)	INSIDE CAULK (X)	PVC/ABS (-30)/(-31)
12 3/4" (324)	33 in ² (21,290 ²)	ANSI/ASME LOAD CLASS "SPECIAL DUTY" (OVER 10,000 LBS.)	2" (51)	6" (152)	6 1/8" (156)	5 7/16" (138)	6 1/4" (159)	7 1/8" (181)
			3" (76)	6" (152)	6 1/8" (156)	5 7/16" (138)	6 1/4" (159)	7 3/8" (187)
			4" (102)	6" (152)	6 1/8" (156)	5 7/16" (138)	6 1/4" (159)	7 3/8" (187)
			5" (127)	6" (152)	—	5 7/16" (138)	6 1/4" (159)	—
			6" (152)	7 1/4" (184)	7" (178)	7" (178)	6 1/4" (159)	—

SUFFIX	OPTIONAL VARIATIONS
-1	Nickel bronze strainer (vener)
-3	Stainless steel strainer (vener)
-4	Ductile iron strainer
-5	Sediment bucket
-6	Security screws (T-20 Torx & pin)
-7	1/2" trap seal primer connection
-8	Backwater valve (2", 3", 4")
-11	Acid resistant epoxy coated body
-12	Galvanized top assembly
-13	Galvanized body
-21	Secondary flat stainless steel strainer (2", 3", 4")
-28	Stainless steel body and grate (Type 304)
-30	PVC socket connection body
-31	ABS socket connection body

SUFFIX	OPTIONAL VARIATIONS
-34	Closure plug
-35	Stainless steel mesh over bucket
-40	Underdeck clamp
-41	Sump receiver
-90	Threaded side outlet (2", 3", 4")
-90NH	No hub side outlet (2", 3", 4")
-BA	Buy American Act compliant product
-HP	Heel proof grate (1/4" maximum grate opening size, -3 only)
(Standard)	No hub outlet
-MG	MI-GARD Floor Drain Trap Sealer (2", 3" or 4")
P	Push on outlet
-PA	Pennsylvania Steel Act compliant product
T	Threaded outlet (2", 3", 4")
X	Inside caulk outlet

Job Name: _____ Page No: _____

Section No: _____ Contractor: _____

Schedule No: _____ Purchase Order No: _____