

Location: _____

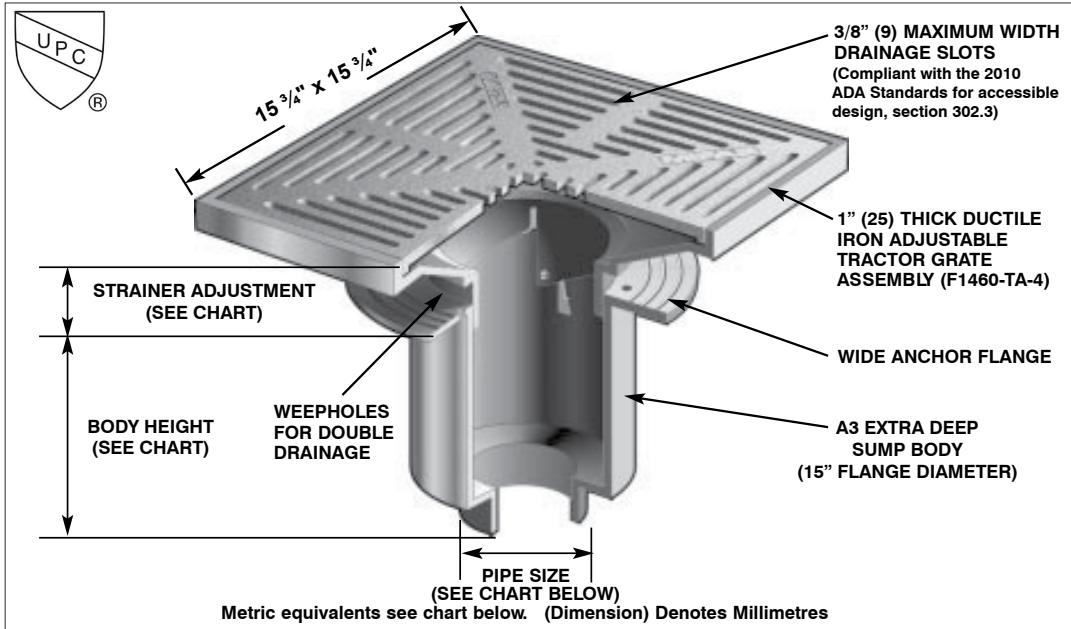


F1470

FLOOR DRAIN WITH 15 3/4" SQUARE ADJUSTABLE TRACTOR GRATE AND EXTRA DEEP SUMP

Specification: MIFAB® Series F1470 lacquered cast iron floor drain with anchor flange, weepholes, and adjustable collar with extra deep sump body and standard 1" (25) thick, 15 3/4" (400) square, (specify material finish) tractor grate.

Function: Used in warehouses, mechanical rooms, parking garages and other non-membrane finished areas. 15 3/4" square, adjustable tractor grate is used with all types of poured finished floors. Deep sump body provides capacity for heavy water flow.



PARTS:



A3 Body



F1460-TA-(-)
(* Denotes Strainer Finish (-1, -3 or -4))

F1470 Series meets ANSI/ASME floor drain standard A112.6.3-2001

STRAINER DIAMETER	STRAINER ADJUSTMENT MIN MAX		ANSI/ASME RATING			PIPE SIZE	BODY HEIGHT				
			FREE AREA	LOAD RATING			NO HUB (STANDARD)	PUSH ON (P)	THREADED (T)	INSIDE CAULK (X)	PVC/ABS (-30)/(-31)
15 3/4" x 15 3/4" (406 x 406)	2" (51)	4" (102)	75 in ²	ANSI/ASME LOAD CLASS "SPECIAL DUTY" (OVER 10,000 LBS.)		2" (51)	12 1/4" (311)	12 1/2" (318)	11 1/2" (292)	13" (330)	12 1/8" (308)
				3" (76)	12 1/4" (311)	12 1/2" (318)	11 7/8" (302)	13" (330)	12 5/8" (321)		
				4" (102)	12 1/4" (311)	12 1/2" (318)	11 7/8" (302)	13" (330)	12 5/8" (321)		
				5" (127)	12 1/4" (311)	—	11 7/8" (302)	16" (406)	—		
				6" (152)	12 1/4" (311)	12 1/2" (318)	—	—	—		
				—	—	—	—	—	—		

- SUFFIX OPTIONAL VARIATIONS**
- 1 Nickel bronze strainer (vener)
 - 3 Stainless steel strainer (vener)
 - 4 Ductile iron strainer
 - 5 Sediment bucket
 - 6 Security screws (T-20 Torx & pin)
 - 7 1/2" trap seal primer connection
 - 8 Backwater valve (2", 3", 4")
 - 11 Acid resistant epoxy coated body
 - 12 Galvanized top assembly
 - 13 Galvanized body
 - 14 Non tilt grate
 - 15 Extension
 - 20 Secondary dome strainer
 - 21 Secondary flat stainless steel strainer (2", 3", 4")
 - 24 Solid secured cover
 - 30 PVC socket connection body
 - 31 ABS socket connection body
 - 32 2", 3", 4" integral deep seal trap
 - 34 Closure plug
 - 35 Stainless steel mesh over bucket
 - 40 Underdeck clamp

- SUFFIX OPTIONAL VARIATIONS**
- 41 Sump receiver
 - 50 Lacquered cast iron funnel
 - 90 Threaded side outlet (2", 3", 4")
 - 90NH No hub side outlet (2", 3", 4")
 - 95 Client logo
 - BA Minimum 51% material cost made in the USA
 - C Membrane clamp
 - F4 4" Round funnel
 - F6 6" Round funnel
 - G Oval 4" x 9" funnel
 - HP Heel proof grate (1/4" maximum grate opening size, -3 only)
 - J 6" x 3" x 1" funnel
 - (Standard) No hub outlet
 - MG MI-GARD Floor Drain Trap Sealer (2", 3" or 4")
 - P Push on outlet
 - PA Pennsylvania Steel Act compliant product
 - T Threaded outlet (2", 3", 4")
 - X Inside caulk outlet
 - Y Non-adjustable top
 - Z Extended wide elastomeric flange

Job Name: _____ Page No: _____

Section No: _____ Contractor: _____

Schedule No: _____ Purchase Order No: _____