

Location: \_\_\_\_\_

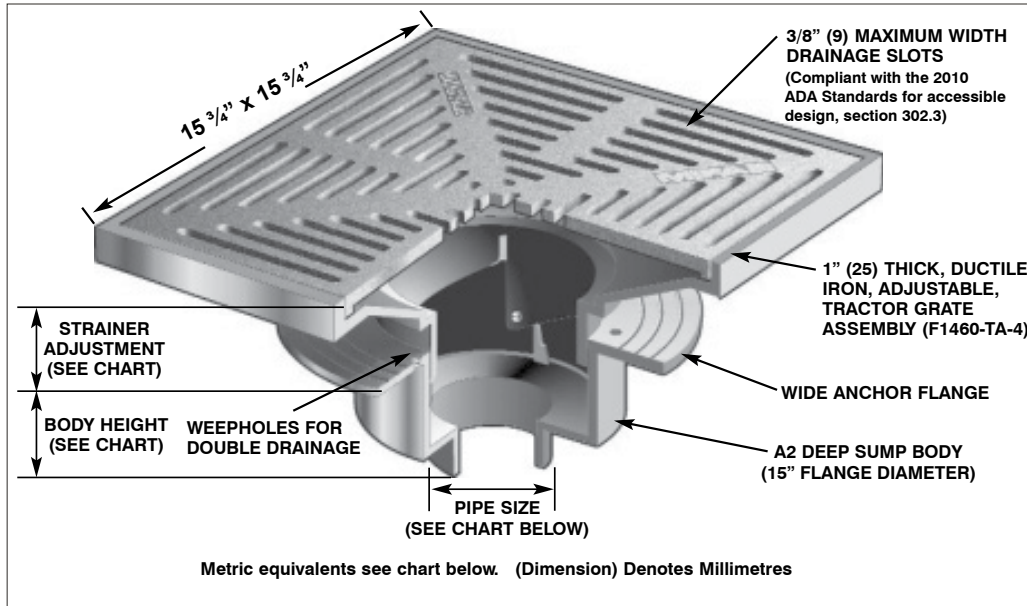


**F1460**

**FLOOR DRAIN WITH 15 3/4" SQUARE ADJUSTABLE TRACTOR GRATE AND DEEP SUMP**

**Specification:** MIFAB® Series F1460 lacquered cast iron deep sump floor drain with anchor flange, weepholes, and adjustable collar with standard 1" (25) thick, 15 3/4" (400) square, (specify material finish) tractor grate.

**Function:** Used in warehouses, mechanical rooms, parking garages and other non-membrane finished areas. 15 3/4" square, adjustable tractor grate is used with all types of poured finished floors.



**PARTS:**



A2 Body



F1460-TA-4 (\*)  
(\*) Denotes Strainer Finish (-1, -3 or -4)

F1460 Series meets ANSI/ASME floor drain standard A112.6.3-2001

STRAINER DIAMETER	STRAINER ADJUSTMENT		FREE AREA	ANSI/ASME RATING	PIPE SIZE	BODY HEIGHT				
	MIN	MAX		LOAD RATING		NO HUB (STANDARD)	PUSH ON (P)	THREADED (T)	INSIDE CAULK (X)	PVC/ABS (-30)/(-31)
15 3/4" x 15 3/4" (406 x 406)	2" (51)	4" (102)	80 in²	ANSI/ASME LOAD CLASS "SPECIAL DUTY" (OVER 10,000 LBS.)	2" (51)	6" (152)	6 1/8" (156)	5 7/16" (138)	6 1/4" (159)	7 1/8" (181)
					3" (76)	6" (152)	6 1/8" (156)	5 7/16" (138)	6 1/4" (159)	7 3/8" (187)
					4" (102)	6" (152)	6 1/8" (156)	5 7/16" (138)	6 1/4" (159)	7 3/8" (187)
					5" (127)	6" (152)	—	5 7/16" (138)	6 1/4" (159)	—
					6" (152)	7 1/4" (184)	7" (178)	7" (178)	6 1/4" (159)	—

- SUFFIX      OPTIONAL VARIATIONS**
- 1      Nickel bronze strainer (veneer)
  - 3      Stainless steel strainer (veneer)
  - 4      Ductile iron strainer
  - 5      Sediment bucket
  - 6      Security screws (T-20 Torx & pin)
  - 7      1/2" trap seal primer connection
  - 8      Backwater valve (2", 3", 4")
  - 11      Acid resistant epoxy coated body
  - 12      Galvanized top assembly
  - 13      Galvanized body
  - 15      Extension
  - 20      Secondary dome strainer
  - 21      Secondary flat stainless steel strainer (2", 3", 4")
  - 24      Solid secured cover
  - 28      Stainless steel body (Type 304)
  - 30      PVC socket connection body
  - 31      ABS socket connection body
  - 32      2", 3", 4" integral deep seal trap
  - 34      Closure plug
  - 35      Stainless steel mesh over bucket
  - 40      Underdeck clamp

- SUFFIX      OPTIONAL VARIATIONS**
- 41      Sump receiver
  - 50      Lacquered cast iron funnel
  - 90      Threaded side outlet (2", 3", 4")
  - 90NH      No hub side outlet (2", 3", 4")
  - 95      Client logo
  - BA      Minimum 51% material cost made in the USA
  - C      Membrane clamp
  - F4      4" Round funnel
  - F6      6" Round funnel
  - G      Oval 4" x 9" funnel
  - HP      Heel proof grate (1/4" maximum grate opening size, -3 only)
  - J      6" x 3" x 1" funnel
  - (Standard)      No hub outlet
  - MG      MI-GARD Floor Drain Trap Sealer (2", 3" or 4")
  - P      Push on outlet
  - PA      Pennsylvania Steel Act compliant product
  - T      Threaded outlet (2", 3", 4")
  - X      Inside caulk outlet
  - Y      Non-adjustable top
  - Z      Extended wide elastomeric flange

CALIFORNIA PROPOSITION 65 WARNING. This product contains chemicals known to the State of California to cause cancer and birth defects or other reproductive harm.

Job Name: \_\_\_\_\_ Page No: \_\_\_\_\_

Section No: \_\_\_\_\_ Contractor: \_\_\_\_\_

Schedule No: \_\_\_\_\_ Purchase Order No: \_\_\_\_\_