

Location: _____

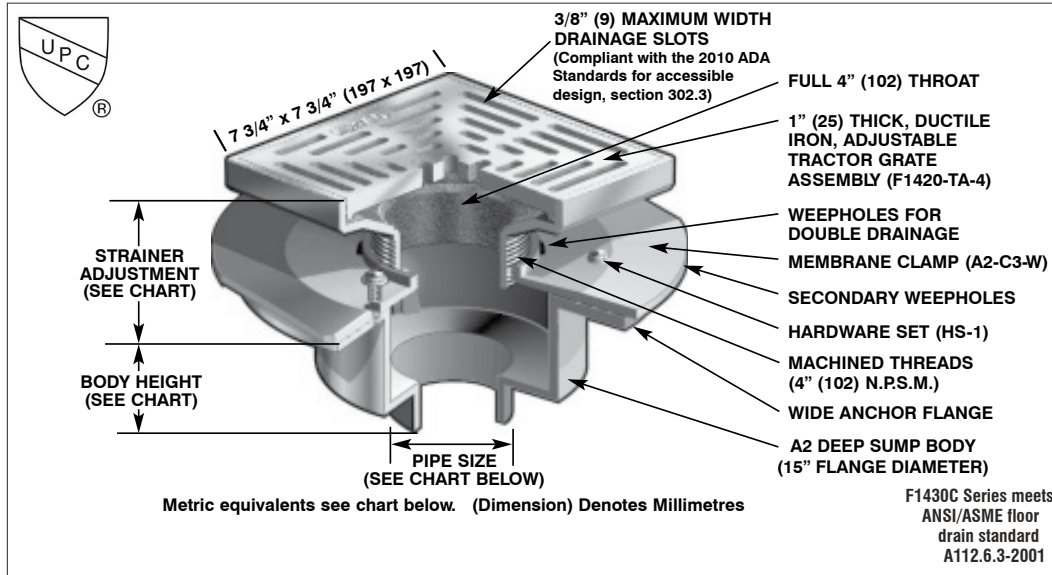


F1430C

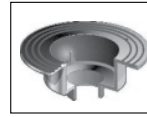
FLOOR DRAIN WITH 8" SQUARE ADJUSTABLE TRACTOR GRATE AND DEEP SUMP

Specification: MIFAB® Series F1430C lacquered cast iron floor drain with anchor flange, cast iron clamp ring with primary and secondary weepholes for waterproofing membrane, adjustable collar with deep sump body, and standard 1" (25) thick, 7 3/4" x 7 3/4" (197 x 197) square, (specify material finish) tractor grate.

Function: Used in warehouses, mechanical rooms, parking garages and other membrane finished areas. 8" square, adjustable tractor grate is used with all types of poured finished floors. Membrane clamp is provided to secure the waterproofing membrane. Deep sump body provides capacity for heavy water flow.



PARTS:



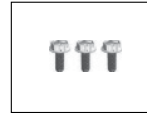
A2 Body



F1420-TA(*)
(*) Denotes Strainer Finish (-1, -3 or -4)



A2-C3-W



HS-1

STRAINER DIAMETER	STRAINER ADJUSTMENT		ANSI/ASME RATING		PIPE SIZE	BODY HEIGHT				
	MIN	MAX	FREE AREA	LOAD RATING		NO HUB (STANDARD)	PUSH ON (P)	THREADED (T)	INSIDE CAULK (X)	PVC/ABS (-30)/(-31)
7 3/4" x 7 3/4" (197 x 197)	2" (51)	2 7/8" (73)	26 in ² (16,800 ²)	ANSI/ASME	2" (51)	6" (152)	6 1/8" (156)	5 7/16" (138)	6 1/4" (159)	7 1/8" (181)
				LOAD CLASS	3" (76)	6" (152)	6 1/8" (156)	5 7/16" (138)	6 1/4" (159)	7 3/8" (187)
				"SPECIAL DUTY"	4" (102)	6" (152)	6 1/8" (156)	5 7/16" (138)	6 1/4" (159)	7 3/8" (187)
				(OVER 10,000 LBS.)	5" (127)	6" (152)	—	5 7/16" (138)	6 1/4" (159)	—
					6" (152)	7 1/4" (184)	7" (178)	7" (178)	6 1/4" (159)	—

SUFFIX OPTIONAL VARIATIONS

- 1 Nickel bronze (vener)
- 3 Stainless steel (vener)
- 4 Ductile iron strainer
- 5 Sediment bucket
- 6 Security screws (T-20 Torx & pin)
- 7 1/2" trap seal primer connection
- 8 Backwater valve (2", 3", 4")
- 11 Acid resistant epoxy coated body
- 12 Galvanized top assembly
- 13 Galvanized body
- 15 Extension
- 21 Secondary flat stainless steel strainer (2", 3", 4")
- 28 Stainless steel body (Type 304)
- 30 PVC socket connection body
- 31 ABS socket connection body
- 32 2", 3", 4" integral deep seal trap
- 34 Closure plug
- 35 Stainless steel mesh over bucket
- 40 Underdeck clamp

SUFFIX OPTIONAL VARIATIONS

- 41 Sump receiver
- 50 Lacquered cast iron funnel
- 90 Threaded side outlet (2", 3", 4")
- 90NH No hub side outlet (2", 3", 4")
- 95 Client logo
- BA Minimum 51% material cost made in the USA
- F4 4" Round funnel
- F6 6" Round funnel
- G Oval 4" x 9" funnel
- HP Heel proof grate (1/4" maximum grate opening size, -3 only)
- J 6" x 3" x 1" funnel
- (Standard) No hub outlet
- MG MI-GARD Floor Drain Trap Sealer (2", 3" or 4")
- P Push on Outlet
- PA Pennsylvania Steel Act compliant product
- T Threaded outlet (2", 3", 4")
- X Inside caulk outlet
- Z Extended wide elastomeric flange

Job Name: _____ Page No: _____

Section No: _____ Contractor: _____

Schedule No: _____ Purchase Order No: _____