

Location: _____

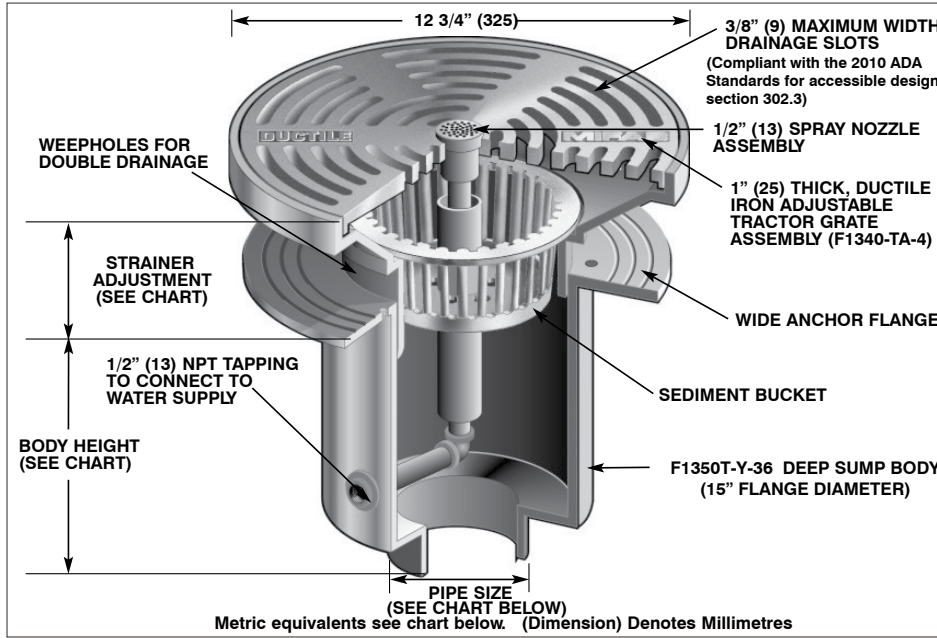


F1350-Y-36

GARBAGE CAN WASH FLOOR DRAIN

Specification: MIFAB® Series F1350-Y-36 lacquered cast iron garbage can wash floor drain with anchor flange, weepholes, and extra deep sump body with 1/2" (13) spray nozzle assembly, sediment bucket and standard 1" (25) thick, 12" (305) round, (specify material finish) tractor grate.

Function: Used in kitchens and other areas where the inside of garbage cans needs to be washed. The internal sediment bucket prevents solid and debris from entering the drain line. 12" Round, adjustable tractor grate is used with all types of poured finished floors. Deep sump body provides capacity for heavy water flow.



PARTS:



F1350-Y36 Series meets ANSI/ASME floor drain standard A112.6.3-2001

STRAINER DIAMETER	STRAINER ADJUSTMENT		FREE AREA	ANSI/ASME RATING	PIPE SIZE	BODY HEIGHT				
	MIN	MAX		LOAD RATING		NO HUB (STANDARD)	PUSH ON (P)	THREADED (T)	INSIDE CAULK (X)	PVC/ABS (-30)/(-31)
12" (305)	2 1/4" (57)	4 1/8" (105)	33 in ² (21,290 ²)	N.B. (-1) / S.S. (-3) / D.I. (-4)	2" (51)	12 1/4" (311)	12 1/2" (318)	11 1/2" (292)	13" (330)	12 1/8" (308)
				ANSI/ASME LOAD CLASS "SPECIAL DUTY" (OVER 10,000 LBS.)	3" (76)	12 1/4" (311)	12 1/2" (318)	11 7/8" (302)	13" (330)	12 5/8" (321)
					4" (102)	12 1/4" (311)	12 1/2" (318)	11 7/8" (302)	13" (330)	12 5/8" (321)
					5" (127)	12 1/4" (311)	—	11 7/8" (302)	16" (406)	—
					6" (152)	12 1/4" (311)	12 1/2" (318)	—	—	—

SUFFIX	OPTIONAL VARIATIONS	SUFFIX	OPTIONAL VARIATIONS
-1	Nickel bronze (vener)	-35	Stainless steel mesh over bucket
-3	Stainless steel (vener)	-40	Underdeck clamp
-4	Ductile iron strainer	-41	Sump receiver
-6	Security screws (TR-30 Torx & pin)	-90	Threaded side outlet (2", 3", 4")
-7	1/2" trap seal primer connection	-90NH	No hub side outlet (2", 3", 4")
-8	Backwater valve (2", 3", 4")	-95	Client logo
-11	Acid resistant epoxy coated body	-BA	Minimum 51% material cost made in the USA
-12	Galvanized top assembly	-C	Membrane clamp
-13	Galvanized body	-HP	Heel proof grate (1/4" maximum grate opening size, -3 only)
-15	Extension	(Standard)	No hub outlet
-16	Square Top	-MG	MI-GARD Floor Drain Trap Sealer (2", 3" or 4")
-28	Stainless steel body (Type 304)	-P	Push on outlet
-30	PVC socket connection body	-PA	Pennsylvania Steel Act compliant product
-31	ABS socket connection body	T	Threaded outlet (2", 3", 4")
-32	2", 3", 4" integral deep seal trap	X	Inside caulk outlet
-34	Closure plug	-Z	Extended wide elastomeric flange

CALIFORNIA PROPOSITION 65 WARNING. This product contains chemicals known to the State of California to cause cancer and birth defects or other reproductive harm.

Job Name: _____ Page No: _____
 Section No: _____ Contractor: _____
 Schedule No: _____ Purchase Order No: _____