

Location: _____

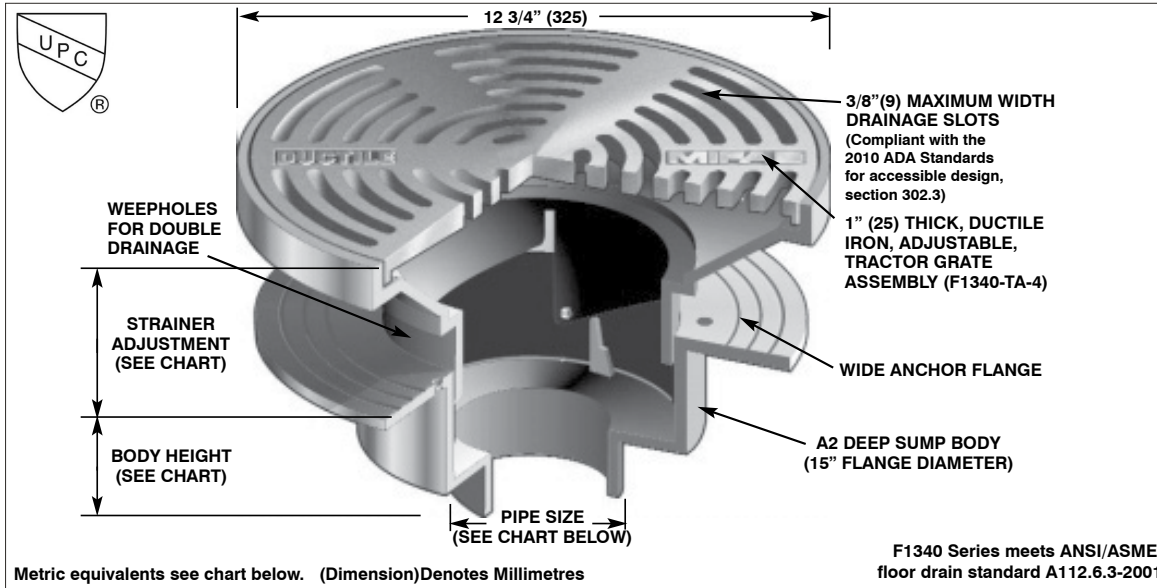


F1340

FLOOR DRAIN WITH 12" ROUND ADJUSTABLE TRACTOR GRATE

Specification: MIFAB® Series F1340 lacquered cast iron deep sump floor drain with anchor flange, weepholes, and adjustable collar with standard 1" (25) thick, 12" (305) round, (specify material finish) tractor grate.

Function: Used in warehouses, mechanical rooms, parking garages and other non-membrane finished areas. 12" Round, adjustable tractor grate is used with all types of poured finished floors.



PARTS:



A2 Body



F1340-TA(*)
(*) Denotes Strainer Finish (-1, -3 or -4)

Metric equivalents see chart below. (Dimension) Denotes Millimetres

F1340 Series meets ANSI/ASME floor drain standard A112.6.3-2001

STRAINER DIAMETER	STRAINER ADJUSTMENT		ANSI/ASME RATING		PIPE SIZE	BODY HEIGHT				
			FREE AREA	LOAD RATING		NO HUB (STANDARD)	PUSH ON (P)	THREADED (T)	INSIDE CAULK (X)	PVC/ABS (-30)/(-31)
	N.B. (-1) / S.S. (-3) / D.I. (-4)									
12" (305)	2 1/4" (57)	4 1/8" (105)	68.9 in ² (44,452 mm ²)	ANSI/ASME LOAD CLASS "SPECIAL DUTY" (OVER 10,000 LBS.)	2" (51)	6" (152)	6 1/8" (156)	5 7/16" (138)	6 1/4" (159)	7 1/8" (181)
					3" (76)	6" (152)	6 1/8" (156)	5 7/16" (138)	6 1/4" (159)	7 3/8" (187)
					4" (102)	6" (152)	6 1/8" (156)	5 7/16" (138)	6 1/4" (159)	7 3/8" (187)
					5" (127)	6" (152)	—	5 7/16" (138)	6 1/4" (159)	—
					6" (152)	7 1/4" (184)	7" (178)	7" (178)	6 1/4" (159)	—
					8"	5 7/8"	-	-	See note*	-

*For drains requiring and 8" inside caulk connection, use A7-8X Body

SUFFIX	OPTIONAL VARIATIONS
-1	Nickel bronze (venerer)
-3	Stainless steel (venerer)
-4	Ductile iron strainer
-5	Sediment bucket
-6	Security screws (T-20 Torx & pin)
-7	1/2" trap seal primer connection
-8	Backwater valve (2", 3", 4")
-11	Acid resistant epoxy coated body
-12	Galvanized top assembly
-13	All Galvanized
-14	Non-tilt grate
-15	Extension
-16	Square top
-21	Secondary flat stainless steel strainer (2", 3", 4")
-24	Solid secured cover
-28	Stainless steel body (Type 304)
-30	PVC socket connection body
-31	ABS socket connection body
-40	Underdeck clamp
-41	Sump receiver
-90	Threaded side outlet (2", 3", 4")
-90NH	No hub side outlet (2", 3", 4")
-BA	Minimum 51% material cost made in the USA
-C	Membrane Clamp
-F4	4" Round funnel (Specify -1, -3 or -50)
-F6	6" Round funnel (Specify -1, -3 or -50)
-G	Oval 4" x 9" funnel (Specify -1, -3 or -50)
-HP	Heel proof grate (1/4" maximum grate opening size, -3 only)
-J	6" x 3" x 1" funnel (Specify -1, -3 or -50)
(Standard)	No hub outlet
-MG	MI-GARD Floor Drain Trap Sealer (2", 3" or 4")
P	Push on outlet
-PA	Pennsylvania Steel Act compliant product
T	Threaded outlet (2", 3", 4")
X	Inside caulk outlet (2", 3", 4")
-Y	Non-adjustable top
-Z	Extended wide elastomeric flange

CALIFORNIA PROPOSITION 65 WARNING. This product contains chemicals known to the State of California to cause cancer and birth defects or other reproductive harm.

Job Name: _____ Page No: _____
 Section No: _____ Contractor: _____
 Schedule No: _____ Purchase Order No: _____