

Location: _____

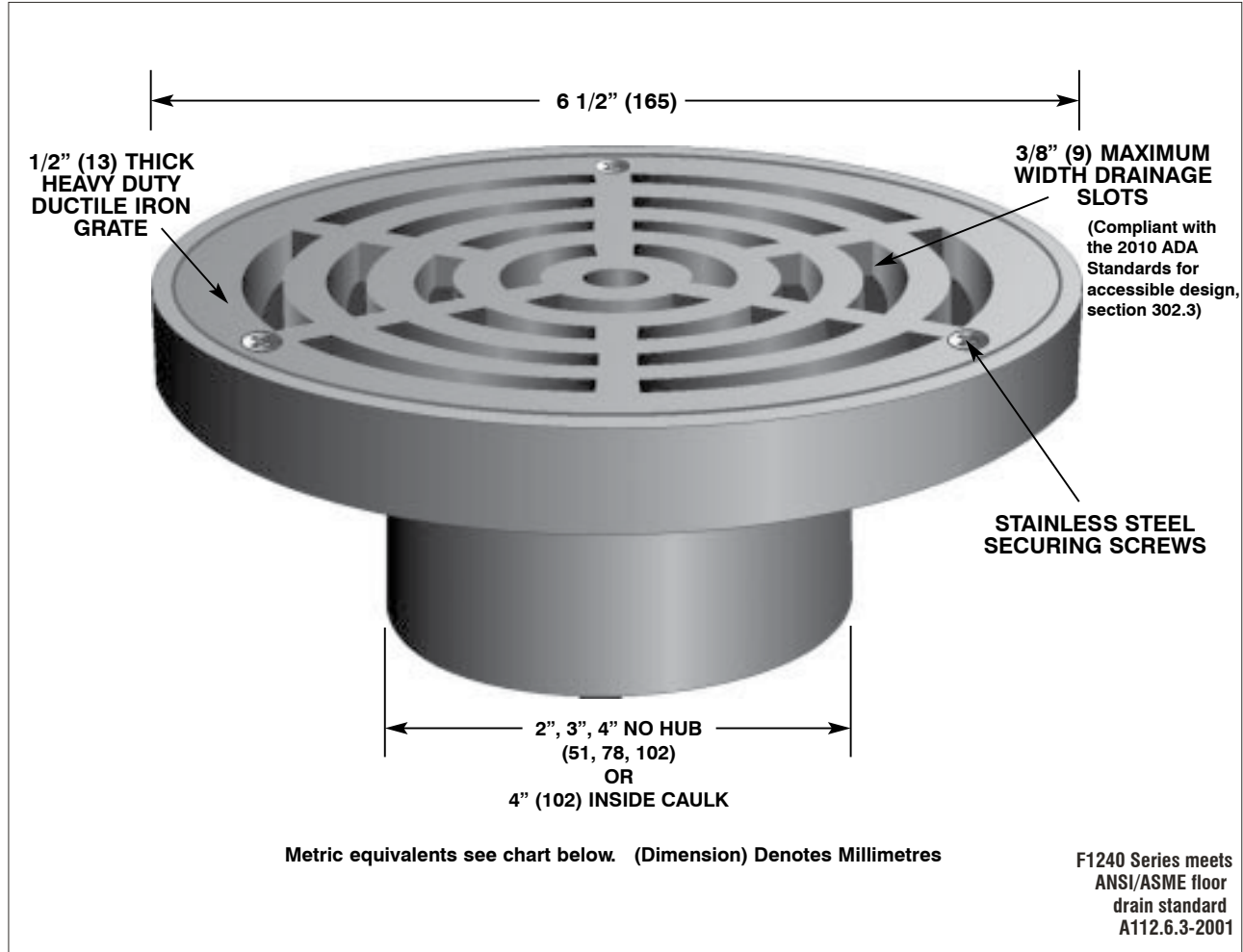


F1240

UTILITY AREA DRAIN

Specification: MIFAB® Series F1240 lacquered ductile iron area drain with 1/2" (13) thick, 6 1/2" (165) diameter heavy duty ductile iron grate with stainless steel screws. Recommended for use in vehicular traffic areas.

Function: Used in warehouses, mechanical rooms and other non-membrane finished areas. Round strainer is used with all types of finished floors. Shallow depth body is ideal for shallow pour applications.



MODEL NO.	PRODUCT DESCRIPTION	OUTLET SIZE	STRAINER SIZE	BODY HEIGHT	ANSI/ASME LOAD RATING	GRATE THICKNESS	FREE AREA
F1242-4	2" (51) No hub C.I. body	2" (51)	6 1/2" (165)	3" (76)	OVER 10,000 LBS.	1/2" (13)	10 in² (6,452²)
F1243-4	3" (76) No hub C.I. body	3" (76)	6 1/2" (165)	3" (76)		1/2" (13)	
F1244-4	4" (102) No hub C.I. body	4" (102)	6 1/2" (165)	3" (76)		1/2" (13)	

SUFFIX OPTIONAL VARIATIONS

- 5 Sediment bucket
- 6 Security screws (T-20 Torx & pin)
- 8 Backwater valve (2", 3", 4")
- 11 Acid resistant epoxy coated body
- 13 Galvanized body
- 34 Closure plug

SUFFIX OPTIONAL VARIATIONS

- BA Minimum 51% material cost made in the USA
- HP Heel proof grate (1/4" maximum grate opening size, -3 only)
- MG MI-GARD Floor Drain Trap Sealer (2", 3" or 4")
- PA Pennsylvania Steel Act compliant product
- X Inside caulk outlet (4" only)

Job Name: _____ Page No: _____

Section No: _____ Contractor: _____

Schedule No: _____ Purchase Order No: _____