

Location: _____

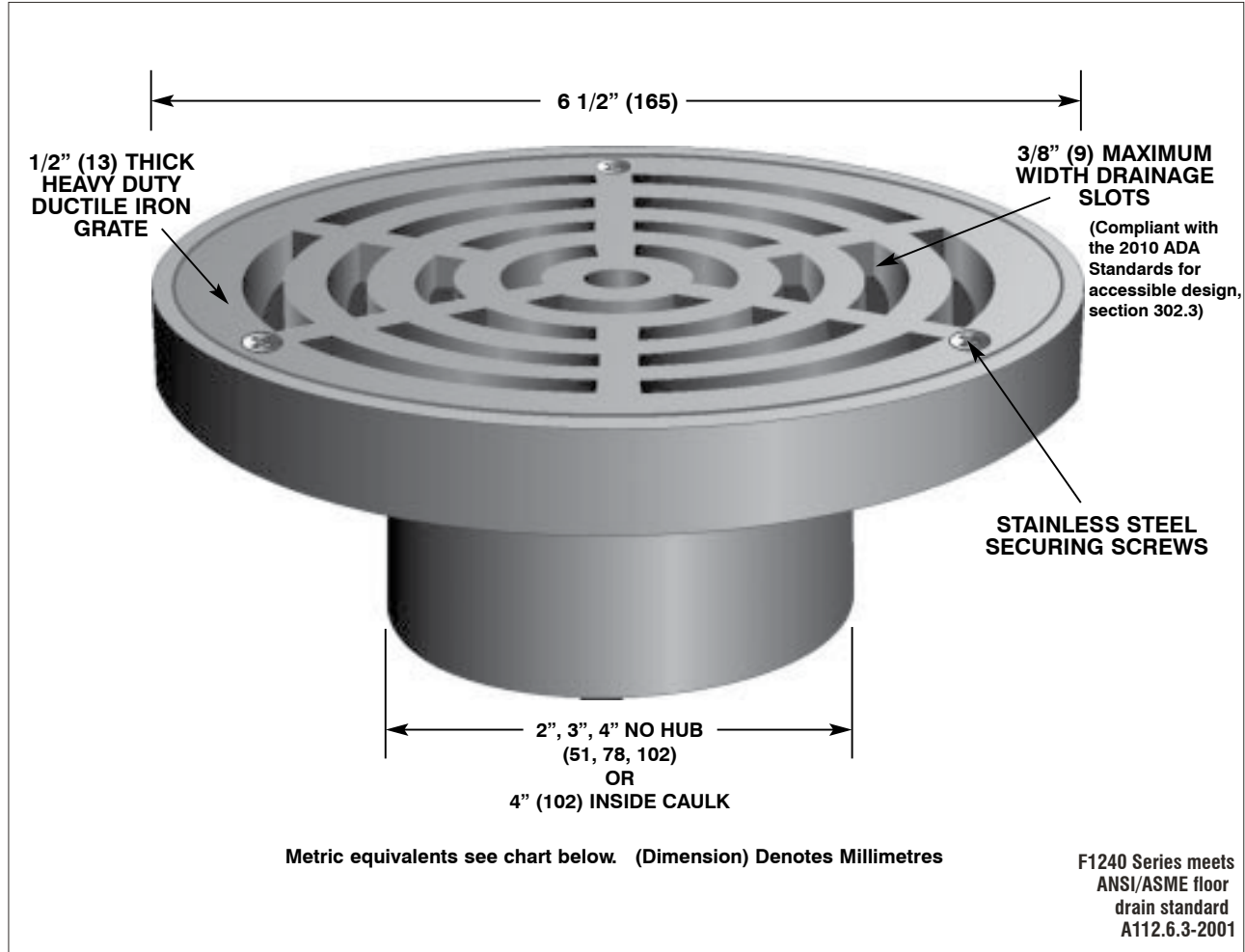


F1240

UTILITY AREA DRAIN

Specification: MIFAB® Series F1240 lacquered ductile iron area drain with 1/2" (13) thick, 6 1/2" (165) diameter heavy duty ductile iron grate with stainless steel screws. Recommended for use in vehicular traffic areas.

Function: Used in warehouses, mechanical rooms and other non-membrane finished areas. Round strainer is used with all types of finished floors. Shallow depth body is ideal for shallow pour applications.



| MODEL NO. | PRODUCT DESCRIPTION | OUTLET SIZE | STRAINER SIZE | BODY HEIGHT | ANSI/ASME LOAD RATING | GRATE THICKNESS | FREE AREA |
|-----------|---------------------------|-------------|---------------|-------------|---------------------------------|-----------------|--|
| F1242-4 | 2" (51) No hub C.I. body | 2" (51) | 6 1/2" (165) | 3" (76) | OVER 10,000 LBS. | 1/2" (13) | 10 in² (6,452²) |
| F1243-4 | 3" (76) No hub C.I. body | 3" (76) | 6 1/2" (165) | 3" (76) | | 1/2" (13) | |
| F1244-4 | 4" (102) No hub C.I. body | 4" (102) | 6 1/2" (165) | 3" (76) | | 1/2" (13) | |

SUFFIX OPTIONAL VARIATIONS

- 5 Sediment bucket
- 6 Security screws (T-20 Torx & pin)
- 8 Backwater valve (2", 3", 4")
- 11 Acid resistant epoxy coated body
- 13 Galvanized body
- 34 Closure plug

SUFFIX OPTIONAL VARIATIONS

- BA Buy American Act compliant product
- HP Heel proof grate (1/4" maximum grate opening size, -3 only)
- MG MI-GARD Floor Drain Trap Sealer (2", 3" or 4")
- PA Pennsylvania Steel Act compliant product
- X Inside caulk outlet (4" only)

Job Name: _____ Page No: _____

Section No: _____ Contractor: _____

Schedule No: _____ Purchase Order No: _____