

Location: _____

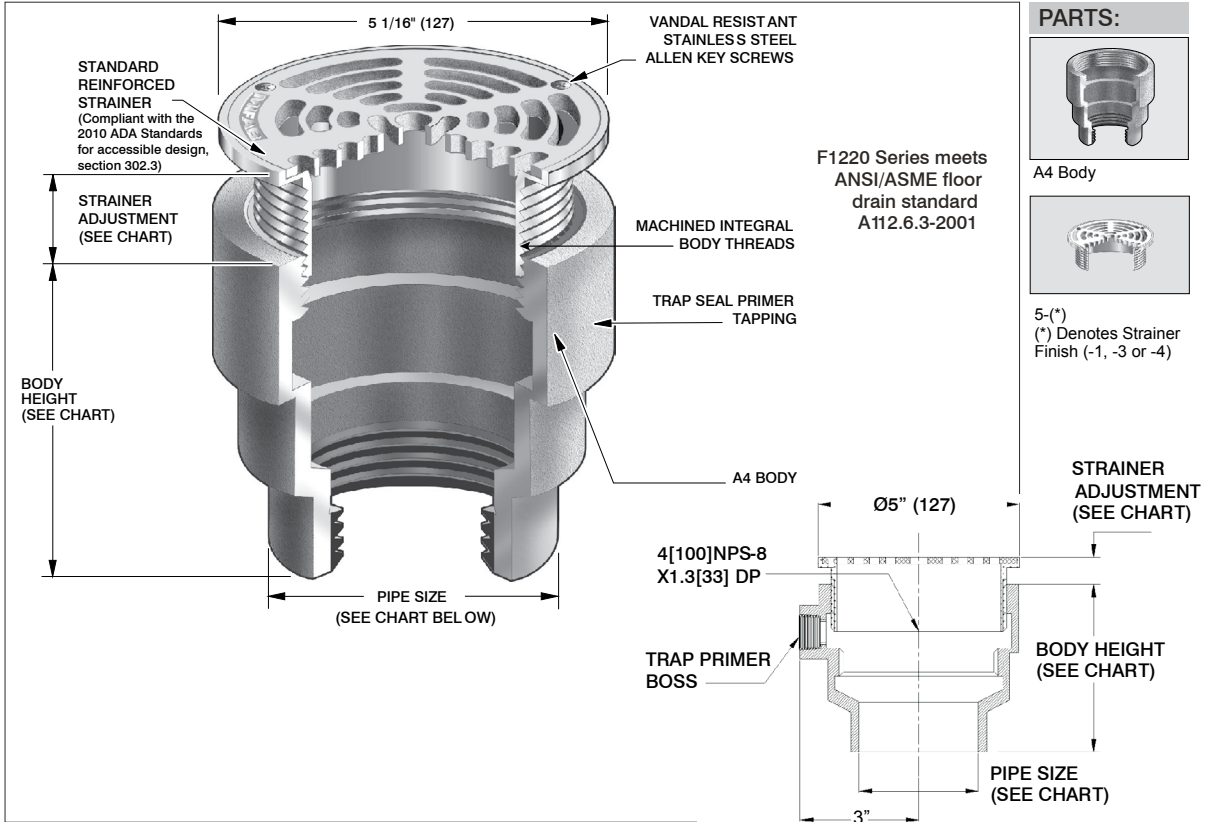


F1220

**FLOOR DRAIN FOR
NON-MEMBRANE FLOOR AREAS**

Specification: MIFAB® Series F1220 lacquered cast iron floor drain with standard (specify material finish) strainer and vandal resistant allen key screws.

Function: Used in showers, kitchens, restrooms and other non-membrane finished areas. Round, adjustable strainer is used with all types of poured finished floors. Narrow diameter body is ideal for tenant improvement projects where core drilling is required to allow placement of floor drains.



STRAINER DIAMETER	STRAINER ADJUSTMENT		ANSI/ASME RATING			PIPE SIZE	BODY HEIGHT			
	MIN	MAX	FREE AREA	LOAD RATING			NO HUB (STANDARD)	PUSH ON (P)	PVC/ABS (-30)/(-31)	
5" (127)	3/4" (19)	2 1/16" (52)	8 in ² (5200 ²)	N.B. (-1)	S.S. (-3)	D.I. (-4)	2" (51)	4" (102)	4 3/8" (111)	4 3/8" (111)
				UP TO 2,000 LBS.	5000-7499 LBS.	5,000-7,499 LBS.	3" (76)	4" (102)	4 3/8" (111)	4 3/8" (111)
							4" (102)	4" (102)	4 3/8" (111)	4 3/8" (111)

SUFFIX OPTIONAL VARIATIONS

- 1 Nickel bronze strainer
- 2 Polished brass strainer (5" only)
- 3 Stainless steel strainer
- 4 Ductile iron grate (5" x 8" only)
- 5 Sediment bucket
- 6 Security screws (T-20 Torx & pin)
- 7 1/2" trap seal primer connection
- 8 Backwater valve (2", 3", 4")
- 11 Acid resistant epoxy coated body
- 13 Galvanized body
- 15 Extension
- 30 PVC socket connection body
- 31 ABS socket connection body
- 34 Closure plug

SUFFIX OPTIONAL VARIATIONS

- 49 Chrome Plated Strainer
- 50 Lacquered cast iron funnel
- 95 Client logo
- C1 Clamp ring for low rough-in (min. 1/2" (13))
- F4 4" Round funnel
- F6 6" Round funnel
- G Oval 4" x 9" funnel
- HP Heel proof grate (1/4" maximum grate opening size, -3 only)
- J 6" x 3" x 1" funnel
- (Standard) No hub outlet
- MG MI-GARD Floor Drain Trap Sealer (2", 3" or 4")
- P Push on outlet

Job Name: _____ Page No: _____

Section No: _____ Contractor: _____

Schedule No: _____ Purchase Order No: _____