

Location:

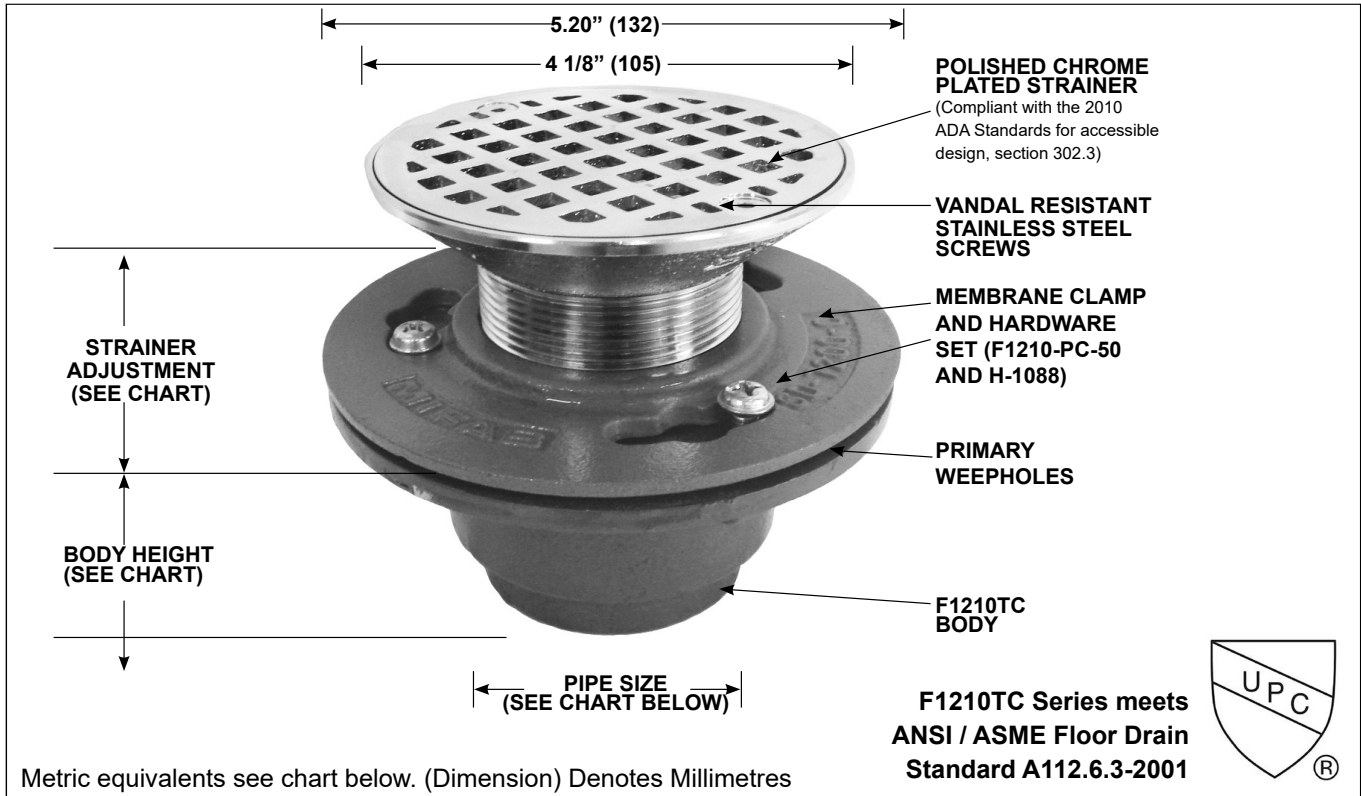


F1210TC

FLOOR DRAIN FOR MEMBRANE FLOOR AREAS

Specification: MIFAB Series F1210TC lacquered cast iron floor drain with anchor flange, cast iron clamp ring with weepholes for waterproofing membrane, and polished chrome plated strainer.

Function: Used in showers, kitchens, restrooms and other membrane finished areas. Round, adjustable strainer is used with all types of poured finished floors. Membrane clamp is provided to secure the waterproofing membrane.



STRAINER DIAMETER	PIPE SIZE	STRAINER ADJUSTMENT		ANSI/ASME RATING		PIPE SIZE	BODY HEIGHT THREADED (T)
		MIN	MAX	FREE AREA	LOAD RATING		
4 1/8" (105)	2" (51)	1 1/4" (32)	2 3/8" (60)	5in ² (3226 ²)	UP TO 2,000 LBS.	2" (51)	2 5/16" (59)

SUFFIX

OPTIONAL VARIATIONS:

- 6 Security screws (T-20 Torx & pin)
- 11 Acid resistant epoxy coated body Galvanized
- 13 body
- 15 Extension
- 49 Chrome Plated Strainer
- BA Minimum 51% material cost made in the USA

SUFFIX

OPTIONAL VARIATIONS:

- F4 4" Round funnel
- F6 6" Round funnel
- G Oval 4" x 9" funnel
- J 6" x 3" x 1" funnel
- PA Pennsylvania Steel Act compliant product

Job Name:

Section No:

Schedule No:

Page No:

Contract:

Purchase Order No: