

Location: _____

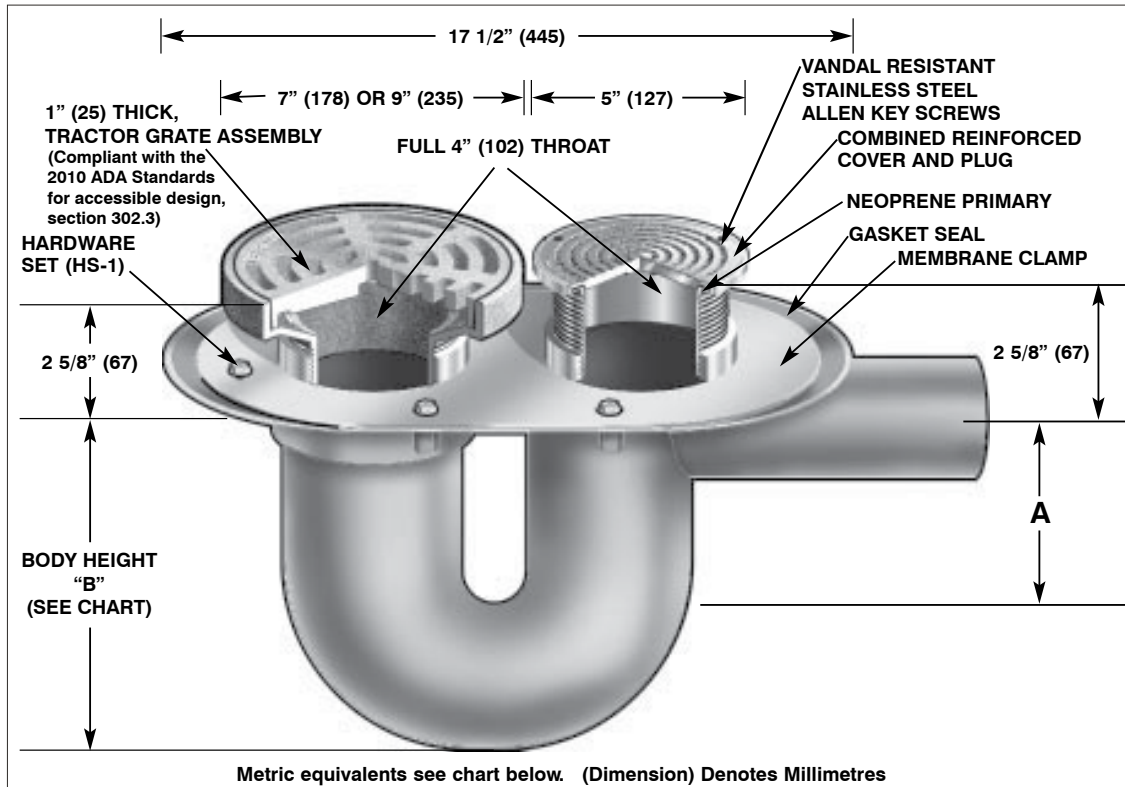


F1140C

FLOOR DRAIN WITH ROUND TRACTOR GRATE, INTEGRAL DEEP SEAL TRAP AND CLEANOUT

Specification: MIFAB® Series F1140C lacquered cast iron floor drain with anchor flange, cast iron clamp ring with primary and secondary weepholes for waterproofing membrane, seepage collection sump, integral deep seal trap, and standard 1" (25) thick, 7" (178) round (specify F1140C-7) or 9" (235) round (specify F1140C-9), (specify material finish) tractor grate and standard reinforced 5" (127) diameter (specify material finish) floor cleanout with access cover, "O" ring Test Seal and plug with primary gasket seal.

Function: Used in kitchens, supermarkets and other membrane finished areas where side outlet body connection with integral deep seal trap, heavy duty tractor grate and cleanout access is required. Round adjustable strainer and round floor cleanout top is used for all types of poured finished floors.



PARTS:



F114(*)C
(*) Denotes Outlet Size



(*)-(**)
(*) Denotes Strainer Diameter (7" or 9")
(**) Denotes Strainer Finish (-1, -3 or -4)

F1140C Series meets ANSI/ASME floor drain standard A112.6.3-2001

MODEL NUMBER	STRAINER DIAMETER	ANSI/ASME RATING		LOAD RATING			BODY HEIGHT		
		FREE AREA	LOAD RATING	N.B. (-1)	S.S. (-3)	D.I. (-4)	PIPE SIZE	A	B
F1140C-7	7" (178)	11 in ² (7,096 ²)	ANSI/ASME LOAD CLASS "SPECIAL DUTY" (OVER 10,000 LBS.)	UP TO	UP TO	UP TO	2" (51)	5 3/8" (137)	13 1/2" (343)
F1140C-9	9" (235)	18 in ² (11,600 ²)		5,000 LBS.	7,499 LBS.	7,499 LBS.	3" (76) 4" (102)	6" (152) 6 1/4" (159)	13 1/2" (343) 13 1/2" (343)

SUFFIX OPTIONAL VARIATIONS

- 1 Nickel bronze strainer and cover
- 3 Stainless steel strainer (vener) and cover
- 4 Ductile iron grate (5" x 8" only) (standard)
- 5 Sediment bucket
- 6 Security screws (T-20 Torx & pin)
- 7 1/2" trap seal primer connection
- 8 Backwater valve (2", 3", 4")
- 11 Acid resistant epoxy coated body
- 12 Galvanized top assembly
- 13 Galvanized body
- 15 Extension
- 16 Square top
- 34 Closure plug

SUFFIX OPTIONAL VARIATIONS

- 50 Lacquered cast iron funnel
- 95 Client logo
- BA Minimum 51% material cost made in the USA
- F4 4" Round funnel
- F6 6" Round funnel
- G Oval 4" x 9" funnel
- J 6" x 3" x 1" funnel
- MG MI-GARD Floor Drain Trap Sealer (2", 3" or 4")
- PA Pennsylvania Steel Act compliant product
- Z Extended wide elastomeric flange

Job Name: _____ Page No: _____
 Section No: _____ Contractor: _____
 Schedule No: _____ Purchase Order No: _____