

Location: _____

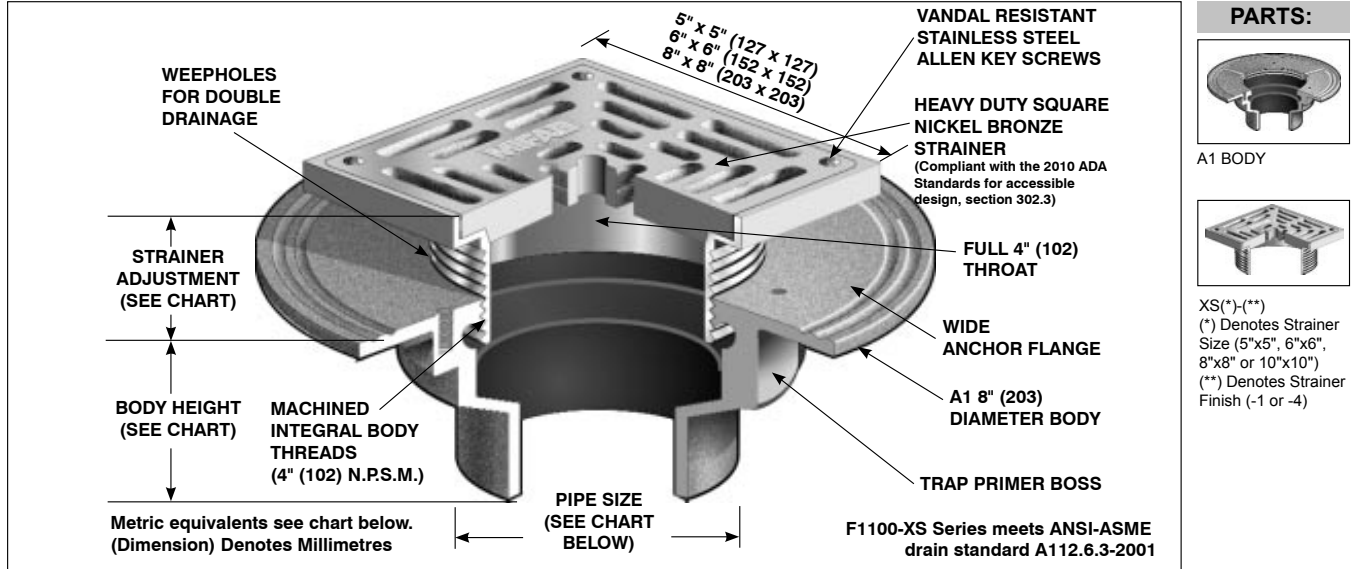


F1100-XS

SQUARE FLOOR DRAIN WITH HEAVY DUTY STRAINER FOR NON-MEMBRANE FLOOR AREAS

Specification: MIFAB® Series F1100-XS lacquered cast iron floor drain with anchor flange, weepholes, and heavy duty, (specify size) square (specify strainer finish) strainer. (For membrane floors, use MIFAB F1100-C-XS Series.)

Function: Used in showers, kitchens, restrooms and other non-membrane finished areas where heavy wheeled loads are expected and a heavy duty rated strainer is required. Square adjustable strainer is used for floors that are finished of material or straight line patterns.



XS(*)-(**)
 (*) Denotes Strainer Size (5"x5", 6"x6", 8"x8" or 10"x10")
 (**) Denotes Strainer Finish (-1 or -4)

| STRAINER SIZE | STRAINER ADJUSTMENT | | ANSI/ASME RATING | | | PIPE SIZE | BODY HEIGHT | | | | |
|-----------------------|---------------------|--------------|--|----------------|----------------|-----------|-------------------|--------------|--------------|------------------|---------------------|
| | MIN | MAX | FREE AREA | LOAD RATING | | | NO HUB (STANDARD) | PUSH ON (P) | THREADED (T) | INSIDE CAULK (X) | PVC/ABS (-30)/(-31) |
| | | | | N.B. (-1) Lbs. | D.I. (-4) Lbs. | | | | | | |
| 5" x 17" (127 x 127) | 5/8" (15) | 1 9/16" (40) | 9 in ² (5800 ²) | Up To 7499 | - | 2" (51) | 3" (76) | 3 3/8" (86) | 2 1/4" (57) | 3 3/4" (95) | 2 15/16" (75) |
| 6" x 6" (152 x 152) | 7/8" (22) | 1 9/16" (40) | 12 in ² (7700 ²) | Up To 7499 | - | 3" (76) | 3" (76) | 3 3/8" (86) | 2 5/8" (67) | 3 3/4" (95) | 3 3/4" (95) |
| 8" x 8" (203 x 203) | 1 1/4" (32) | 2 3/16" (56) | 26 in ² (16800 ²) | Up To 7499 | Over 10000 | 4" (102) | 3" (76) | 3 3/8" (86) | 2 5/8" (67) | 3 3/4" (95) | 3 3/4" (95) |
| 10" x 10" (254 x 254) | 1 1/4" (32) | 2 3/16" (56) | 28 in ² (19913 ²) | - | - | 5" (127) | 3" (76) | - | 2 5/8" (67) | 3 3/4" (95) | - |
| | | | | | | 6" (152) | 3 1/4" (83) | 6 1/2" (165) | - | - | - |

| SUFFIX | OPTIONAL VARIATIONS |
|--------|--|
| -1 | Nickel bronze strainer (standard) |
| -4 | Ductile iron strainer (5", 8" only) |
| -5 | Sediment bucket |
| -6 | Security screws (T-20 Torx & pin) |
| -7 | 1/2" trap seal primer connection |
| -8 | Backwater valve (2", 3", 4") |
| -11 | Acid resistant epoxy coated body |
| -13 | Galvanized body |
| -15 | Extension |
| -21 | Secondary flat stainless steel strainer (2", 3", 4") |
| -28 | Stainless steel body (Type 304) |
| -30 | PVC socket connection body |
| -31 | ABS socket connection body |
| -34 | Closure plug |
| -40 | Underdeck clamp |
| -41 | Sump receiver |
| -49 | Chrome plated strainer |

| | |
|------------|--|
| -50 | Lacquered cast iron funnel |
| -90 | Threaded side outlet (2", 3", 4") (cast iron only) |
| -90NH | No hub side outlet (2", 3", 4") (cast iron only) |
| -95 | Client logo |
| -BA | Buy American Act compliant product |
| -C | Membrane clamp for low roughin (min. 1/2" (13)) |
| -C2 | High rough-in membrane clamp (min. 1 9/16" (40)) |
| -F4 | 4" Round funnel |
| -F6 | 6" Round funnel |
| (Standard) | No hub outlet |
| -G | Oval 4" x 9" funnel |
| -J | 6" x 3" x 1" funnel |
| -MG | MI-GARD Floor Drain Trap Sealer (2", 3" or 4") |
| P | Push on outlet |
| -PA | Pennsylvania Steel Act compliant product |
| T | Threaded outlet (2", 3", 4") |
| X | Inside caulk outlet |
| -Z | Extended wide elastomeric flange |

CALIFORNIA PROPOSITION 65 WARNING. This product contains chemicals known to the State of California to cause cancer and birth defects or other reproductive harm.

Job Name: _____ Page No: _____
 Section No: _____ Contractor: _____
 Schedule No: _____ Purchase Order No: _____