

Location: _____

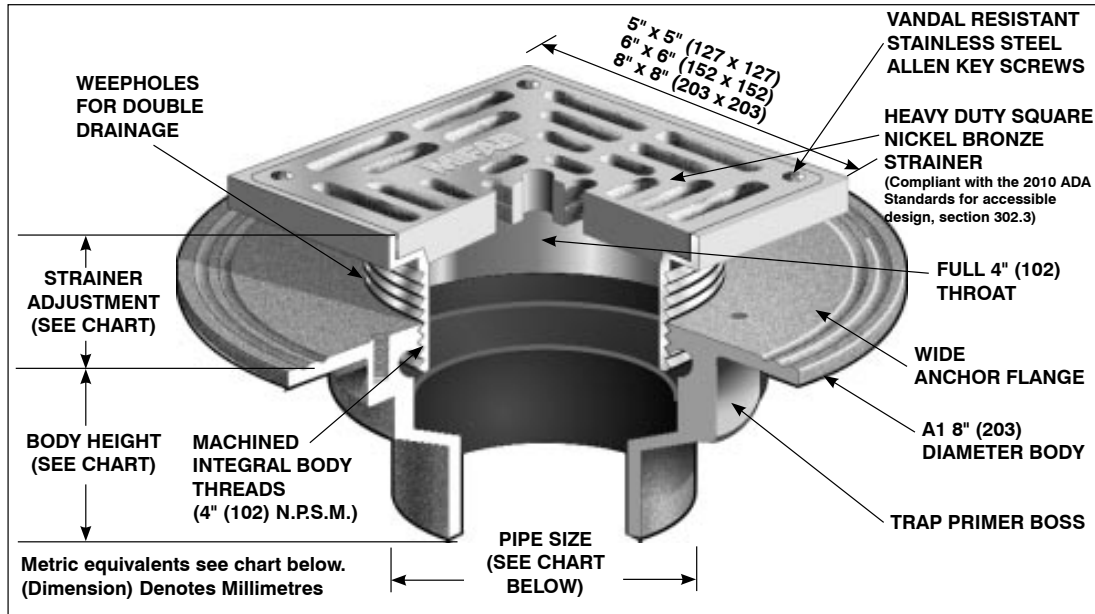


F1100-XS

SQUARE FLOOR DRAIN WITH HEAVY DUTY STRAINER FOR NON-MEMBRANE FLOOR AREAS

Specification: MIFAB® Series F1100-XS lacquered cast iron floor drain with anchor flange, weepholes, and heavy duty, (specify size) square (specify strainer finish) strainer. (For membrane floors, use MIFAB F1100-C-XS Series.)

Function: Used in showers, kitchens, restrooms and other non-membrane finished areas where heavy wheeled loads are expected and a heavy duty rated strainer is required. Square adjustable strainer is used for floors that are finished of material or straight line patterns.



PARTS:



A1 BODY



XS(*)-(**)
 (*) Denotes Strainer Size (5"x5", 6"x6", 8"x8" or 10"x10")
 (**) Denotes Strainer Finish (-1, -3 or -4)

F1100-XS Series meets ANSI-ASME floor drain standard A112.6.3-2001

| STRAINER SIZE | STRAINER ADJUSTMENT | | ANSI/ASME RATING | | | | PIPE SIZE | BODY HEIGHT | | | | |
|--------------------------|---------------------|-----------------|---|-----------------|----------------|-----------------|----------------------|--------------------|----------------------------|----------------------------|----------------------------|------------------------------|
| | | | FREE AREA | LOAD RATING | | | | NO HUB (STANDARD) | PUSH ON (P) | THREADED (T) | INSIDE CAULK (X) | PVC/ABS (-30)/(-31) |
| | | | | N.B. (-1) | S.S. (-3) | D.I. (-4) | | | | | | |
| 5" x 5" (127 x 127) | 5/8" (15) | 1 9/16" (40) | 9 in ² (5800 ²) | UP TO 7499 LBS. | 5000-7499 LBS. | -- | 2" (51) 3" (76) | 3" (76) 3" (76) | 3 3/8" (86) 3 3/8" (86) | 2 1/4" (57) 2 5/8" (67) | 3 3/4" (95) 3 3/4" (95) | 2 15/16" (75) 3 3/4" (95) |
| 6" x 6" (152 x 152) | 7/8" (22) | 1 9/16" (40) | 12 in ² (7700 ²) | UP TO 7499 LBS. | 5000-7499 LBS. | -- | 4" (102) 5" (127) | 3" (76) 3" (76) | 3 3/8" (86) -- | 2 5/8" (67) 2 5/8" (67) | 3 3/4" (95) 3 3/4" (95) | 3 3/4" (95) -- |
| 8" x 8" (203 x 203) | 1 1/4" (32) | 2 3/16" (56) | 26 in ² (16800 ²) | UP TO 7499 LBS. | 5000-7499 LBS. | OVER 10000 LBS. | 6" (152) | 3 1/4" (83) | 6 1/2" (165) | -- | -- | -- |
| 10" x 10" (254 x 254) | 1 1/4" (32) | 2 3/16" (56) | 28 in ² (19913 ²) | -- | 5000-7499 LBS. | -- | | | | | | |

SUFFIX OPTIONAL VARIATIONS

- 1 Nickel bronze strainer (standard)
- 3 Stainless steel strainer
- 4 Ductile iron strainer (5", 8" only)
- 5 Sediment bucket
- 6 Security screws (T-20 Torx & pin)
- 7 1/2" trap seal primer connection
- 8 Backwater valve (2", 3", 4")
- 11 Acid resistant epoxy coated body
- 13 Galvanized body
- 15 Extension
- 21 Secondary flat stainless steel strainer (2", 3", 4")
- 28 Stainless steel body (Type 304)
- 30 PVC socket connection body
- 31 ABS socket connection body
- 34 Closure plug
- 40 Underdeck clamp
- 41 Sump receiver
- 49 Chrome plated strainer

SUFFIX OPTIONAL VARIATIONS

- 50 Lacquered cast iron funnel
- 90 Threaded side outlet (2", 3", 4") (cast iron only)
- 90NH No hub side outlet (2", 3", 4") (cast iron only)
- 95 Client logo
- BA Minimum 51% material cost made in the USA
- C Membrane clamp for low roughin (min. 1/2" (13))
- C2 High rough-in membrane clamp (min. 1 9/16" (40))
- F4 4" Round funnel
- F6 6" Round funnel
- (Standard) No hub outlet
- G Oval 4" x 9" funnel
- J 6" x 3" x 1" funnel
- MG MI-GARD Floor Drain Trap Sealer (2", 3" or 4")
- P Push on outlet
- PA Pennsylvania Steel Act compliant product
- T Threaded outlet (2", 3", 4")
- X Inside caulk outlet
- Z Extended wide elastomeric flange

CALIFORNIA PROPOSITION 65 WARNING. This product contains chemicals known to the State of California to cause cancer and birth defects or other reproductive harm.

Job Name: _____ Page No: _____
 Section No: _____ Contractor: _____
 Schedule No: _____ Purchase Order No: _____