

Location: \_\_\_\_\_

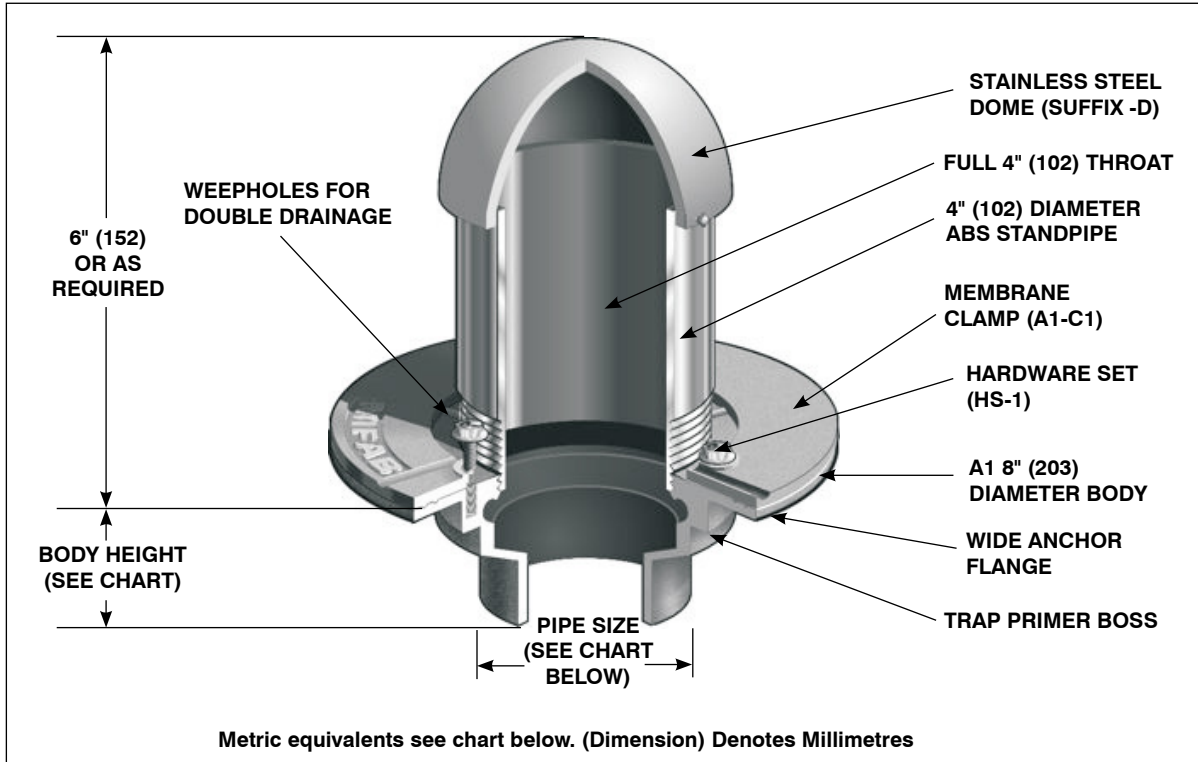


# F1100-W(D)

## OVERFLOW DRAIN WITH STANDPIPE AND OPTIONAL DOME FOR NON-MEMBRANE FLOOR AREAS

**Specification:** MIFAB® Series F1100-W(D) lacquered cast iron floor drain with anchor flange, weepholes, adjustable 4" (102) diameter ABS standpipe and stainless steel dome. (For membrane floors, use MIFAB F1100-C-W(D) Series.)

**Function:** Used as an overflow drain in decorative fountains, pools, fish ponds and other similar areas. The dome assembled to the top of the standpipe prevents floating debris from entering the drain line.



Metric equivalents see chart below. (Dimension) Denotes Millimetres

PIPE SIZE	BODY HEIGHT				
	NO HUB (STANDARD)	PUSH ON (P)	THREADED (T)	INSIDE CAULK (X)	PVC/ABS (-30)/(-31)
2" (51)	3" (76)	3 3/8" (86)	2 1/4" (57)	3 3/4" (95)	2 15/16" (75)
3" (76)	3" (76)	3 3/8" (86)	2 5/8" (67)	3 3/4" (95)	3 3/4" (95)
4" (102)	3" (76)	3 3/8" (86)	2 5/8" (67)	3 3/4" (95)	3 3/4" (95)
5" (127)	3" (76)	--	2 5/8" (67)	3 3/4" (95)	--
6" (152)	3 1/4" (83)	6 1/2" (165)	--	--	--

**PARTS:**



A1 BODY



A1-W

OR



A1-WD



A1-C1



HS-1

F1100-C-W(D) Series meets ANSI-ASME floor drain standard A112.6.3-2001

- SUFFIX    OPTIONAL VARIATIONS**
- 6 Security screws (T-20 Torx & pin)
  - 7 1/2" trap seal primer connection
  - 8 Backwater valve (2", 3", 4")
  - 11 Acid resistant epoxy coated body
  - 13 Galvanized body
  - 15 Extension
  - 21 Secondary flat stainless steel strainer (2", 3", 4")
  - 28 Stainless steel body (Type 304)
  - 30 PVC socket connection body
  - 31 ABS socket connection body
  - 34 Closure plug
  - 40 Underdeck clamp
  - 41 Sump receiver

- SUFFIX    OPTIONAL VARIATIONS**
- 90 Threaded side outlet (2", 3", 4") (cast iron only)
  - 90NH No hub side outlet (2", 3", 4") (cast iron only)
  - 95 Client logo
  - BA Minimum 51% material cost made in the USA
  - C Membrane clamp for low rough-in (min. 1/2" (13))
  - C2 High rough-in membrane clamp (min. 1 9/16" (40))
  - (Standard) No hub outlet
  - MG MI-GARD Floor Drain Trap Sealer (2", 3" or 4")
  - P Push on outlet
  - PA Pennsylvania Steel Act compliant product
  - T Threaded outlet (2", 3", 4")
  - X Inside caulk outlet
  - Z Extended wide elastomeric flange

CALIFORNIA PROPOSITION 65 WARNING. This product contains chemicals known to the State of California to cause cancer and birth defects or other reproductive harm.

Job Name: \_\_\_\_\_ Page No: \_\_\_\_\_  
 Section No: \_\_\_\_\_ Contractor: \_\_\_\_\_  
 Schedule No: \_\_\_\_\_ Purchase Order No: \_\_\_\_\_