

Location: \_\_\_\_\_

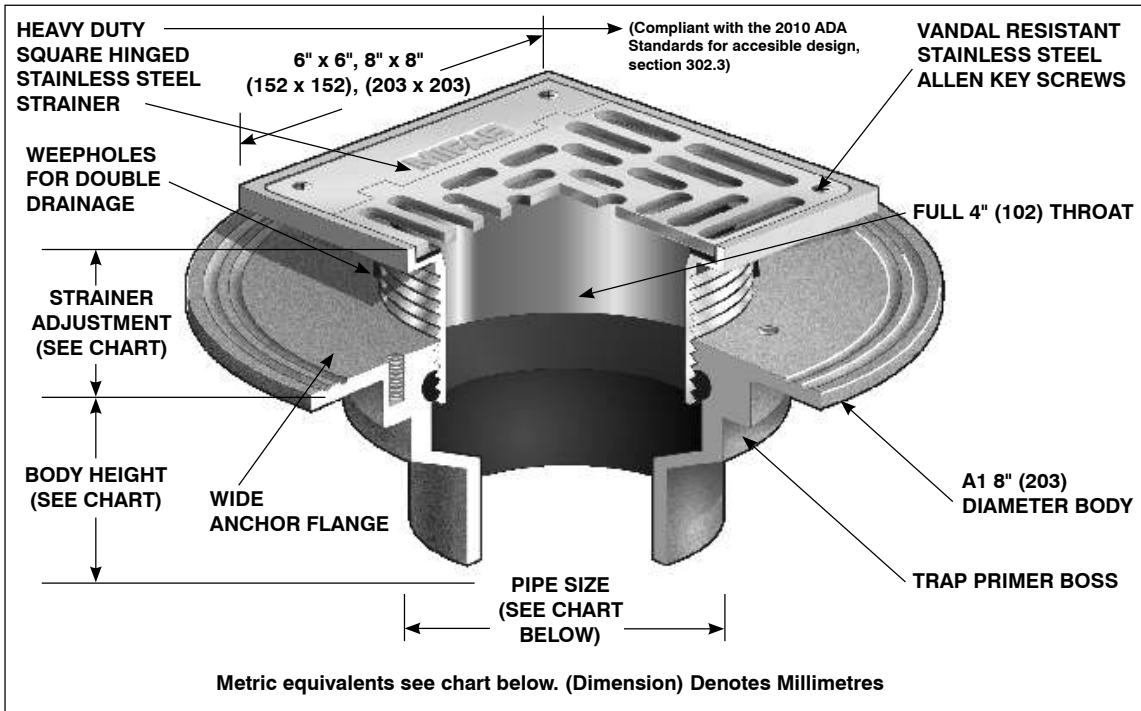


# F1100-SHG

## FLOOR DRAIN WITH SQUARE HINGED STRAINER FOR NON-MEMBRANE FLOOR AREAS

**Specification:** MIFAB® Series F1100-SHG(\*)-3 (\* specify strainer size) lacquered cast iron floor drain with anchor flange, weepholes, and square, hinged, heavy duty, polished stainless steel strainer. (For membrane floors, use MIFAB F1100-C-SHG Series.)

**Function:** Used in showers, kitchens, restrooms and other non-membrane finished areas. Hinged grate ensures that grate is not lost during maintenance. Square adjustable stainless steel hinged strainer is used for all types of poured finished floors.



**PARTS:**



A1 BODY



SHG(\*)-3  
(\*) Denotes Strainer Size (6"x6" or 8"x8")

F1100-SHG Series meets ANSI-ASME floor drain standard A112.6.3-2001

STRAINER SIZE	STRAINER ADJUSTMENT		ANSI/ASME RATING		PIPE SIZE	BODY HEIGHT				
			FREE AREA	LOAD RATING S.S. (-3)		NO HUB (STANDARD)	PUSH ON (P)	THREADED (T)	INSIDE CAULK (X)	PVC/ABS (-30)/(-31)
	MIN	MAX								
6" x 6" (152 x 152)	11/16" (17)	1 1/2" (38)	9 in <sup>2</sup> (7700 <sup>2</sup> )	5000 to 7499 LBS.	2" (51)	3" (76)	3 3/8" (86)	2 1/4" (57)	3 3/4" (95)	2 15/16" (75)
		8" x 8" (203 x 203)	2 1/4" (57)	18 in <sup>2</sup> (11600 <sup>2</sup> )	5000 to 7499 LBS.	3" (76)	3" (76)	3 3/8" (86)	2 5/8" (67)	3 3/4" (95)
					4" (102)	3" (76)	3 3/8" (86)	2 5/8" (67)	3 3/4" (95)	3 3/4" (95)
					5" (127)	3" (76)	--	2 5/8" (67)	3 3/4" (95)	--
					6" (152)	3 1/4" (83)	6 1/2" (165)	--	--	--

- SUFFIX    OPTIONAL VARIATIONS**
- 3    Stainless steel strainer (standard)
  - 5    Sediment bucket
  - 6    Security screws (T-20 Torx & pin)
  - 7    1/2" trap seal primer connection
  - 8    Backwater valve (2", 3", 4")
  - 11    Acid resistant epoxy coated body
  - 13    Galvanized body
  - 15    Extension
  - 21    Secondary flat stainless steel strainer (2", 3", 4")
  - 28    Stainless steel body (Type 304)
  - 30    PVC socket connection body
  - 31    ABS socket connection body
  - 34    Closure plug
  - 40    Underdeck clamp
  - 41    Sump receiver
  - 49    Chrome Plated Strainer
  - 90    Threaded side outlet (2", 3", 4") (cast iron only)

- SUFFIX    OPTIONAL VARIATIONS**
- 90NH    No hub side outlet (2", 3", 4") (cast iron only)
  - 95    Client logo
  - BA    Buy American Act compliant product
  - C    Membrane clamp for low rough-in (min. 1/2" (13))
  - C2    High rough-in membrane clamp (min. 1 9/16" (40))
  - F4    4" Round funnel
  - F6    6" Round funnel
  - G    Oval 4" x 9" funnel
  - J    6" x 3" x 1" funnel
  - (Standard)    No hub outlet
  - MG    MI-GARD Floor Drain Trap Sealer (2", 3" or 4")
  - P    Push on outlet
  - PA    Pennsylvania Steel Act compliant product
  - T    Threaded outlet (2", 3", 4")
  - X    Inside caulk outlet
  - Z    Extended wide elastomeric flange

CALIFORNIA PROPOSITION 65 WARNING. This product contains chemicals known to the State of California to cause cancer and birth defects or other reproductive harm.

Job Name: \_\_\_\_\_ Page No: \_\_\_\_\_  
 Section No: \_\_\_\_\_ Contractor: \_\_\_\_\_  
 Schedule No: \_\_\_\_\_ Purchase Order No: \_\_\_\_\_