

Location: _____

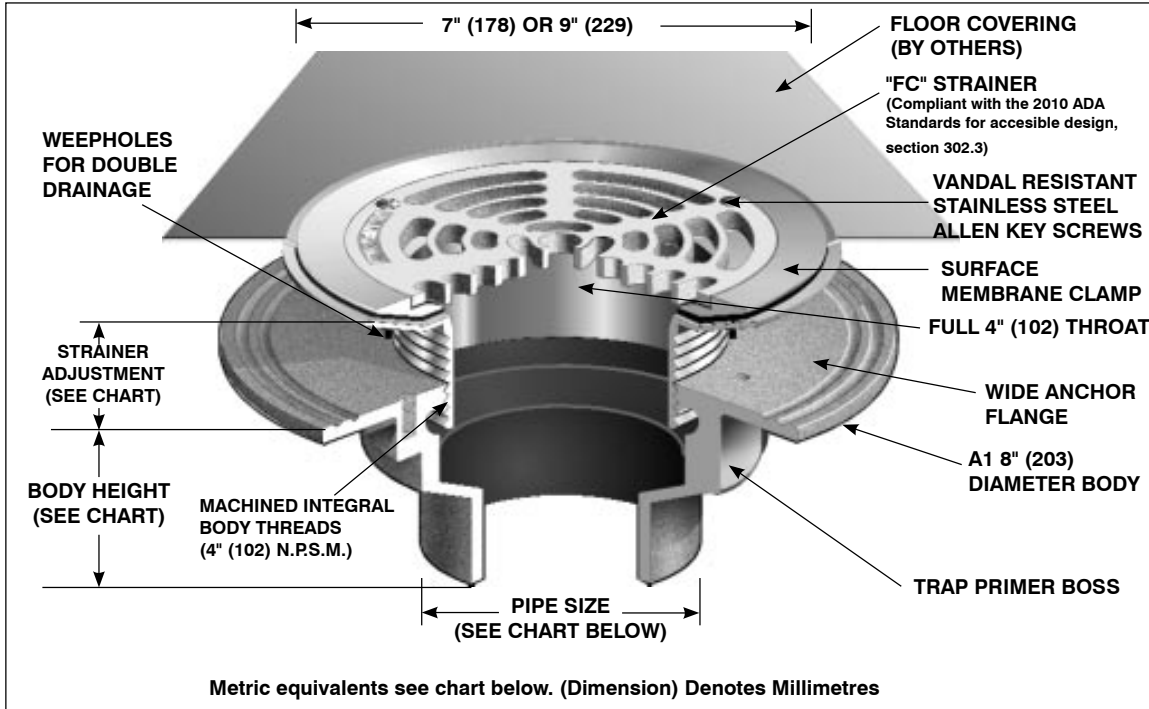


F1100-FC

FLOOR DRAIN WITH SURFACE MEMBRANE CLAMP

Specification: MIFAB® Series F1100-FC()-1 lacquered cast iron floor drain with anchor flange, weepholes, and "FC" (specify diameter) round, reinforced satin finished nickel bronze strainer with surface membrane clamp and vandal resistant, allen key screws. (For membrane floors, use MIFAB F1100-C-FC Series.)

Function: Used in showers, kitchens, restrooms, and other areas where a surface membrane is required. Round, adjustable, strainer is used for all types of poured finished floors.



PARTS:



A1 BODY



FC-(*)
(* Denotes Strainer Finish (-1 or -3))

F1100-FC Series meets ANSI-ASME floor drain standard A112.6.3-2001

Metric equivalents see chart below. (Dimension) Denotes Millimetres

| STRAINER SIZE | STRAINER ADJUSTMENT | | ANSI/ASME RATING | | PIPE SIZE | BODY HEIGHT | | | | |
|---------------|---------------------|-------------|--|---------------------|-----------|-------------------|--------------|--------------|------------------|---------------------|
| | MIN | MAX | FREE AREA | LOAD RATING | | NO HUB (STANDARD) | PUSH ON (P) | THREADED (T) | INSIDE CAULK (X) | PVC/ABS (-30)/(-31) |
| 7" (178) | 1 1/8" (28) | 1 7/8" (48) | 9 in ² (5800 ²) | UP TO 2,000 LBS. | 2" (51) | 3" (76) | 3 3/8" (86) | 2 1/4" (57) | 3 3/4" (95) | 2 15/16" (75) |
| | | | | | 3" (76) | 3" (76) | 3 3/8" (86) | 2 5/8" (67) | 3 3/4" (95) | 3 3/4" (95) |
| 9" (229) | 1 1/8" (28) | 1 7/8" (48) | 12 in ² (7700 ²) | UP TO 2,000 LBS. | 4" (102) | 3" (76) | 3 3/8" (86) | 2 5/8" (67) | 3 3/4" (95) | 3 3/4" (95) |
| | | | | | 5" (127) | 3" (76) | -- | 2 5/8" (67) | 3 3/4" (95) | -- |
| | | | | | 6" (152) | 3 1/4" (83) | 6 1/2" (165) | -- | -- | -- |

SUFFIX OPTIONAL VARIATIONS

- 1 Nickel bronze strainer (standard)
- 3 Stainless steel strainer
- 5 Sediment bucket
- 6 Security screws (T-20 Torx & pin)
- 7 1/2" trap seal primer connection
- 8 Backwater valve (2", 3", 4")
- 11 Acid resistant epoxy coated body
- 13 Galvanized body
- 15 Extension
- 21 Secondary flat stainless steel strainer (2", 3", 4")
- 28 Stainless steel body (Type 304)
- 30 PVC socket connection body
- 31 ABS socket connection body
- 34 Closure plug
- 40 Underdeck clamp

SUFFIX OPTIONAL VARIATIONS

- 41 Sump receiver
- 90 Threaded side outlet (2", 3", 4") (cast iron only)
- 90NH No hub side outlet (2", 3", 4") (cast iron only)
- 95 Client logo
- BA Minimum 51% material cost made in the USA
- C Membrane clamp for low rough-in (min. 1/2" (13))
- C2 High rough-in membrane clamp (min. 1 9/16" (40))
- (Standard) No hub outlet
- MG MI-GARD Floor Drain Trap Sealer (2", 3" or 4")
- P Push on outlet
- PA Pennsylvania Steel Act compliant product
- T Threaded outlet (2", 3", 4")
- X Inside caulk outlet
- Z Extended wide elastomeric flange

CALIFORNIA PROPOSITION 65 WARNING. This product contains chemicals known to the State of California to cause cancer and birth defects or other reproductive harm.

Job Name: _____ Page No: _____
 Section No: _____ Contractor: _____
 Schedule No: _____ Purchase Order No: _____