

Location: _____

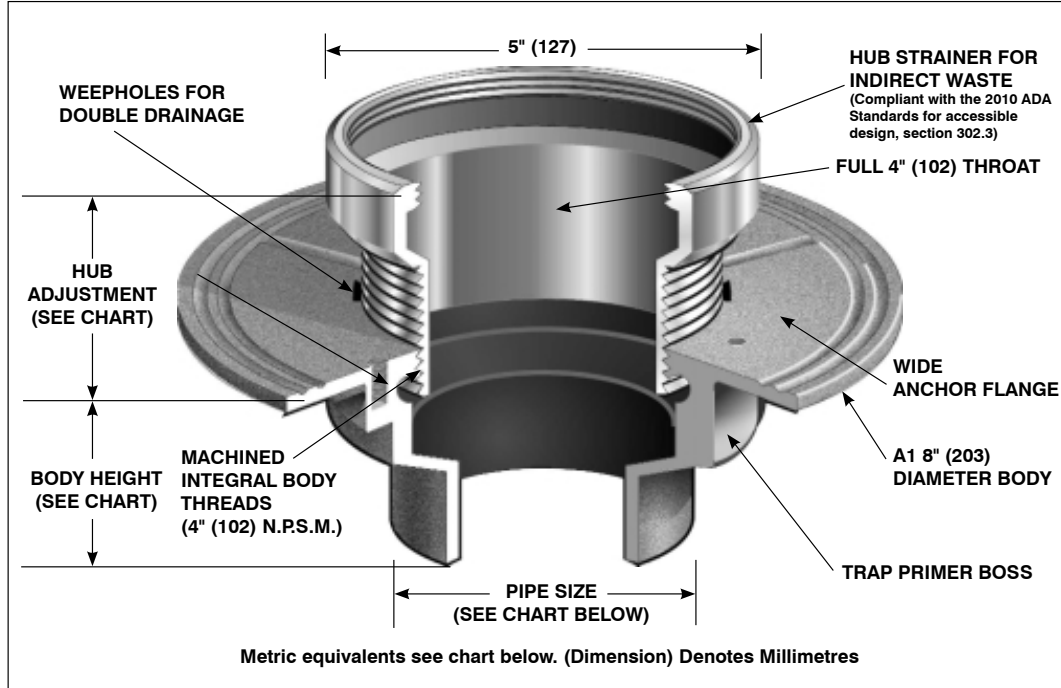


F1100-DD

**HUB DRAIN FOR
NON-MEMBRANE FLOOR AREAS**

Specification: MIFAB® Series F1100-DD lacquered cast iron hub drain with anchor flange, weepholes, and (specify strainer finish) indirect waste hub. (For membrane floors, use MIFAB F1100-C-DD Series.)

Function: Used in restaurants, hospitals, industrial laboratories, and other non-membrane finished areas where indirect waste lines above the floor drip condensate or waste water into the hub.



PARTS:



A1 BODY



DD-(*)
(* Denotes strainer finish (-1, -3 or -50)

F1100-DD Series meets ANSI-ASME floor drain standard A112.6.3-2001

HUB ADJUSTMENT		PIPE SIZE	BODY HEIGHT				
			NO HUB (STANDARD)	PUSH ON (P)	THREADED (T)	INSIDE CAULK (X)	PVC/ABS (-30)/(-31)
1 1/2" (38)	2 5/8" (66)	2" (51)	3" (76)	3 3/8" (86)	2 1/4" (57)	3 3/4" (95)	2 15/16" (75)
		3" (76)	3" (76)	3 3/8" (86)	2 5/8" (67)	3 3/4" (95)	3 3/4" (95)
		4" (102)	3" (76)	3 3/8" (86)	2 5/8" (67)	3 3/4" (95)	3 3/4" (95)
		5" (127)	3" (76)	--	2 5/8" (67)	3 3/4" (95)	--
		6" (152)	3 1/4" (83)	6 1/2" (165)	--	--	--

- SUFFIX OPTIONAL VARIATIONS**
- 1 Nickel bronze strainer (standard)
 - 3 Stainless steel strainer
 - 5 Sediment bucket
 - 6 Security screws (T-20 Torx & pin)
 - 7 1/2" trap seal primer connection
 - 8 Backwater valve (2", 3", 4")
 - 11 Acid resistant epoxy coated body
 - 13 Galvanized body
 - 15 Extension
 - 21 Secondary flat stainless steel strainer (2", 3", 4")
 - 28 Stainless steel body (Type 304)
 - 30 PVC socket connection body
 - 31 ABS socket connection body
 - 34 Closure plug
 - 40 Underdeck clamp
 - 41 Sump receiver

- SUFFIX OPTIONAL VARIATIONS**
- 49 Chrome Plated Strainer
 - 50 Cast Iron
 - 90 Threaded side outlet (2", 3", 4") (cast iron only)
 - 90NH No hub side outlet (2", 3", 4") (cast iron only)
 - 95 Client logo
 - BA Minimum 51% material cost made in the USA
 - C Membrane clamp for low rough-in (min. 1/2" (13))
 - C2 High rough-in membrane clamp (min. 1 9/16" (40))
 - (Standard) No hub outlet
 - MG MI-GARD Floor Drain Trap Sealer (2", 3" or 4")
 - P Push on outlet
 - PA Pennsylvania Steel Act compliant product
 - T Threaded outlet (2", 3", 4")
 - X Inside caulk outlet
 - Z Extended wide elastomeric flange

CALIFORNIA PROPOSITION 65 WARNING. This product contains chemicals known to the State of California to cause cancer and birth defects or other reproductive harm.

Job Name: _____ Page No: _____
 Section No: _____ Contractor: _____
 Schedule No: _____ Purchase Order No: _____