

Location: \_\_\_\_\_

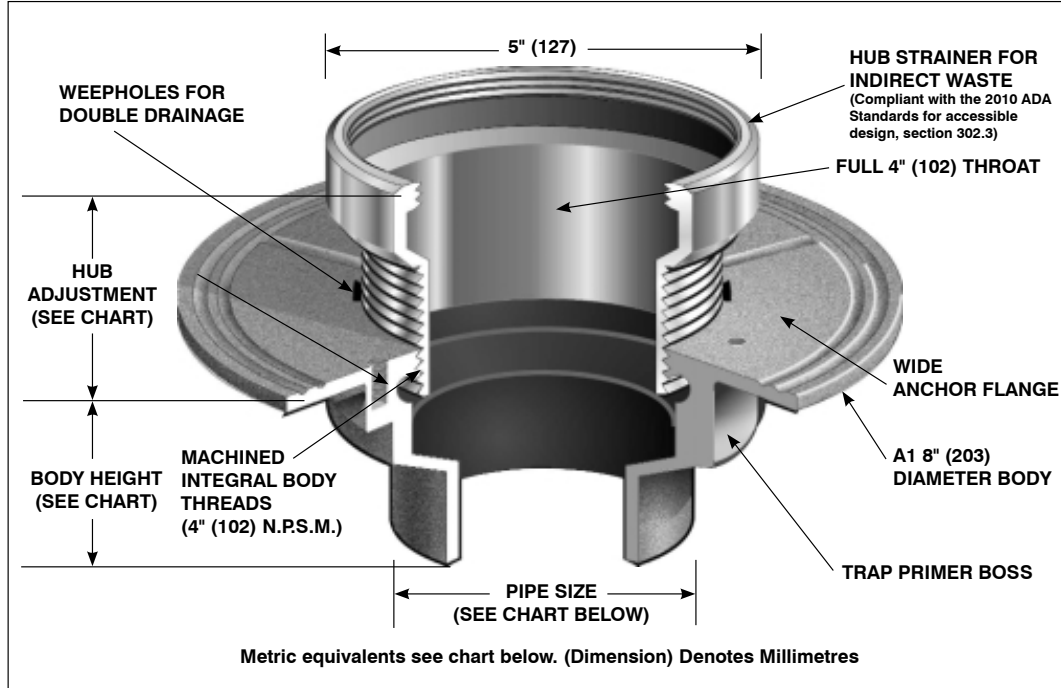


**F1100-DD**

**HUB DRAIN FOR  
NON-MEMBRANE FLOOR AREAS**

**Specification:** MIFAB® Series F1100-DD lacquered cast iron hub drain with anchor flange, weepholes, and (specify strainer finish) indirect waste hub. (For membrane floors, use MIFAB F1100-C-DD Series.)

**Function:** Used in restaurants, hospitals, industrial laboratories, and other non-membrane finished areas where indirect waste lines above the floor drip condensate or waste water into the hub.



**PARTS:**



A1 BODY



DD-<sup>(\*)</sup>  
<sup>(\*)</sup> Denotes strainer finish (-1, -3 or -50)

F1100-DD Series meets ANSI-ASME floor drain standard A112.6.3-2001

HUB ADJUSTMENT		PIPE SIZE	BODY HEIGHT				
MIN	MAX		NO HUB (STANDARD)	PUSH ON (P)	THREADED (T)	INSIDE CAULK (X)	PVC/ABS (-30)/(-31)
1 1/2" (38)	2 5/8" (66)	2" (51)	3" (76)	3 3/8" (86)	2 1/4" (57)	3 3/4" (95)	2 15/16" (75)
		3" (76)	3" (76)	3 3/8" (86)	2 5/8" (67)	3 3/4" (95)	3 3/4" (95)
		4" (102)	3" (76)	3 3/8" (86)	2 5/8" (67)	3 3/4" (95)	3 3/4" (95)
		5" (127)	3" (76)	--	2 5/8" (67)	3 3/4" (95)	--
		6" (152)	3 1/4" (83)	6 1/2" (165)	--	--	--

- SUFFIX    OPTIONAL VARIATIONS**
- 1    Nickel bronze strainer (standard)
  - 3    Stainless steel strainer
  - 5    Sediment bucket
  - 6    Security screws (T-20 Torx & pin)
  - 7    1/2" trap seal primer connection
  - 8    Backwater valve (2", 3", 4")
  - 11    Acid resistant epoxy coated body
  - 13    Galvanized body
  - 15    Extension
  - 21    Secondary flat stainless steel strainer (2", 3", 4")
  - 28    Stainless steel body (Type 304)
  - 30    PVC socket connection body
  - 31    ABS socket connection body
  - 34    Closure plug
  - 40    Underdeck clamp
  - 41    Sump receiver

- SUFFIX    OPTIONAL VARIATIONS**
- 49    Chrome Plated Strainer
  - 90    Threaded side outlet (2", 3", 4") (cast iron only)
  - 90NH    No hub side outlet (2", 3", 4") (cast iron only)
  - 95    Client logo
  - BA    Buy American Act compliant product
  - C    Membrane clamp for low rough-in (min. 1/2" (13))
  - C2    High rough-in membrane clamp (min. 1 9/16" (40))
  - (Standard)    No hub outlet
  - MG    MI-GARD Floor Drain Trap Sealer (2", 3" or 4")
  - P    Push on outlet
  - PA    Pennsylvania Steel Act compliant product
  - T    Threaded outlet (2", 3", 4")
  - X    Inside caulk outlet
  - Z    Extended wide elastomeric flange

CALIFORNIA PROPOSITION 65 WARNING. This product contains chemicals known to the State of California to cause cancer and birth defects or other reproductive harm.

Job Name: \_\_\_\_\_ Page No: \_\_\_\_\_

Section No: \_\_\_\_\_ Contractor: \_\_\_\_\_

Schedule No: \_\_\_\_\_ Purchase Order No: \_\_\_\_\_