

Location: \_\_\_\_\_

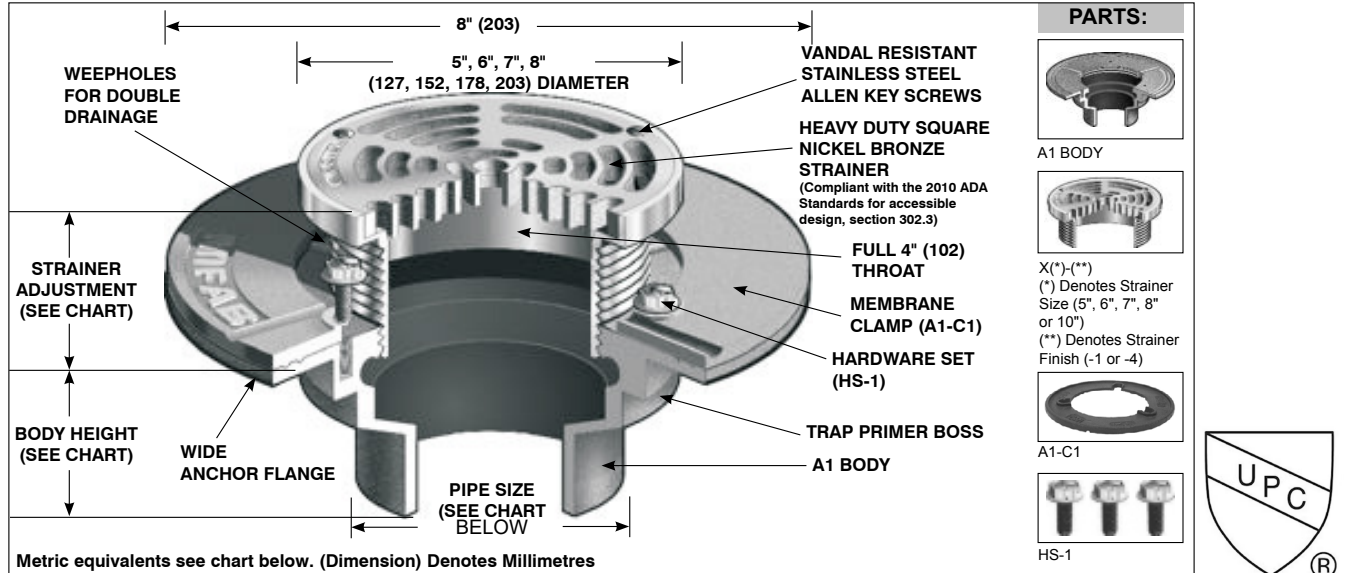


# F1100-C-X

## FLOOR DRAIN WITH HEAVY DUTY STRAINER FOR MEMBRANE FLOOR AREAS

**Specification:** MIFAB® Series F1100-C-X lacquered cast iron floor drain with anchor flange, cast iron membrane clamp ring with primary and secondary weepholes for waterproofing membrane, and standard heavy duty, (specify diameter), (specify material finish) strainer (For non-membrane floors, use MIFAB F1100-X Series.).

**Function:** Used in showers, kitchens, restrooms and other membrane finished areas where heavy wheeled loads are expected and a heavy duty rated strainer is required. Round adjustable strainer is used for all types of poured finished floors. Membrane clamp is provided to secure the waterproofing membrane.



F1100-C-X Series meets ANSI/ASME floor drain standard A112.6.3-2001

STRAINER SIZE	STRAINER ADJUSTMENT		ANSI/ASME RATING			PIPE SIZE	BODY HEIGHT				
	MIN	MAX	FREE AREA	LOAD RATING			NO HUB (STANDARD)	PUSH ON (P)	THREADED (T)	INSIDE CAULK (X)	PVC/ABS (-30)/(-31)
				N.B. (-1) Lbs.	D.I. (-4) Lbs.						
5" (127)	1/2" (13)	1 1/2" (38)	8 in <sup>2</sup> (5200 <sup>2</sup> )	Up To 7,499	Over 10000	2" (51)	3" (76)	3 3/8" (86)	2 1/4" (57)	3 3/4" (95)	2 15/16" (75)
6" (152)	11/16" (17)	1 1/2" (38)	9 in <sup>2</sup> (5800 <sup>2</sup> )	Up To 7,499	-	3" (76)	3" (76)	3 3/8" (86)	2 5/8" (67)	3 3/4" (95)	3 3/4" (95)
7" (178)	9/16" (14)	1 9/16" (40)	12 in <sup>2</sup> (7700 <sup>2</sup> )	Up To 7,499	-	4" (102)	3" (76)	3 3/8" (86)	2 5/8" (67)	3 3/4" (95)	3 3/4" (95)
8" (203)	11/16" (32)	2 1/4" (57)	18 in <sup>2</sup> (16000 <sup>2</sup> )	Up To 7,499	Over 10000	5" (127)	3" (76)	-	2 5/8" (67)	3 3/4" (95)	-
10" (254)	1 1/16" (17)	2 1/4" (57)	26 in <sup>2</sup> (17170 <sup>2</sup> )	Up To 7,499	-	6" (152)	3 1/4" (83)	6 1/2" (165)	-	-	-

SUFFIX	OPTIONAL VARIATIONS
-1	Nickel bronze strainer (standard)
-4	Ductile iron strainer (5", 8" only)
-5	Sediment bucket
-6	Security screws (T-20 Torx & pin)
-7	1/2" trap seal primer connection
-8	Backwater valve (2", 3", 4")
-11	Acid resistant epoxy coated body
-13	Galvanized body
-15	Extension
-21	Secondary flat stainless steel strainer (2", 3", 4")
-28	Stainless steel body (Type 304)
-29	Stainless steel body (Type 316)
-30	PVC socket connection body
-31	ABS socket connection body
-34	Closure plug
-40	Underdeck clamp
-41	Sump receiver

-49	Chrome plated strainer
-50	Lacquered cast iron funnel
-69	Stainless steel sediment bucket (A1-SSB)
-90	Threaded side outlet (2", 3", 4") (cast iron only)
-90NH	No hub side outlet (2", 3", 4") (cast iron only)
-95	Client logo
-BA	Buy American Act compliant product
-C2	High rough-in membrane clamp (min. 1 9/16" (40))
-F4	4" Round funnel
-F6	6" Round funnel
(Standard)	No hub outlet
-G	Oval 4" x 9" funnel
-J	6" x 3" x 1" funnel
-MG	MI-GARD Floor Drain Trap Sealer (2", 3" or 4")
P	Push on outlet
-PA	Pennsylvania Steel Act compliant product
T	Threaded outlet (2", 3", 4")
X	Inside caulk outlet
-Z	Extended wide elastomeric flange



CALIFORNIA PROPOSITION 65 WARNING. This product contains chemicals known to the State of California to cause cancer and birth defects or other reproductive harm.

Job Name: \_\_\_\_\_ Page No: \_\_\_\_\_  
 Section No: \_\_\_\_\_ Contractor: \_\_\_\_\_  
 Schedule No: \_\_\_\_\_ Purchase Order No: \_\_\_\_\_