

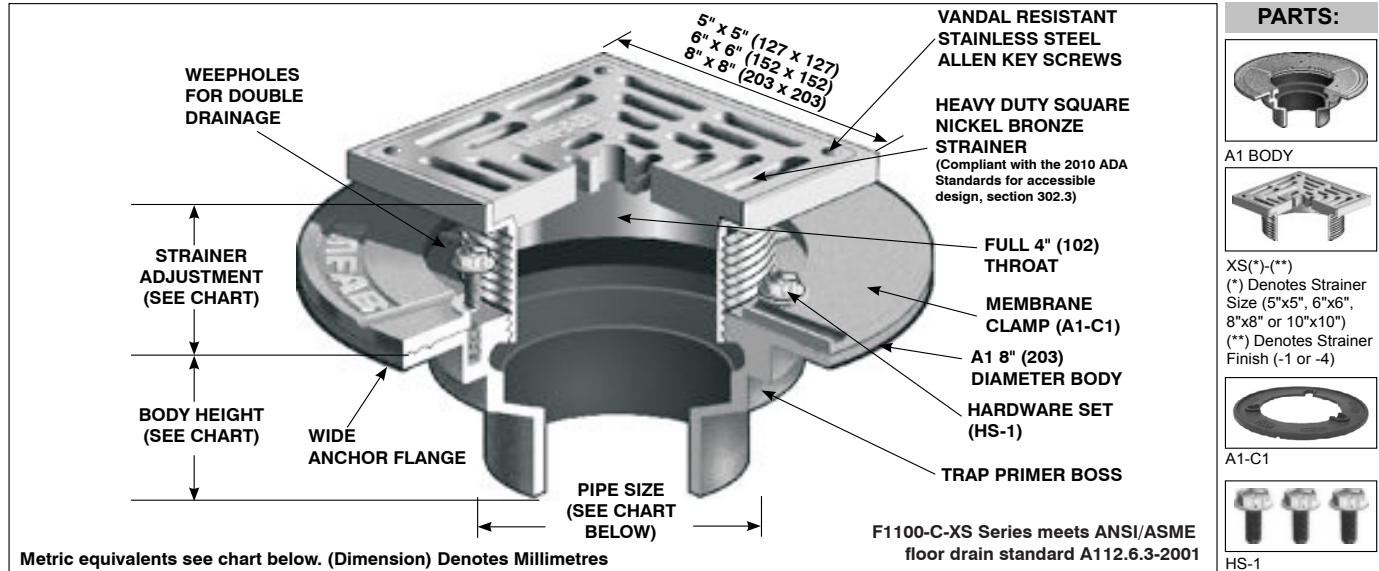
Location: _____



SQUARE FLOOR DRAIN WITH HEAVY DUTY STRAINER FOR MEMBRANE FLOOR AREAS

Specification: MIFAB® Series F1100-C-X lacquered cast iron floor drain with anchor flange, cast iron membrane clamp ring with primary and secondary weepholes for waterproofing membrane, and standard heavy duty, (specify diameter), (specify material finish) strainer (For nonmembrane floors, use MIFAB F1100-X Series.)

Function: Used in showers, kitchens, restrooms and other membrane finished areas where heavy wheeled loads are expected and a heavy duty rated strainer is required. Round adjustable strainer is used for all types of poured finished floors. Membrane clamp is provided to secure the waterproofing membrane.



Metric equivalents see chart below. (Dimension) Denotes Millimetres

| STRAINER SIZE | STRAINER ADJUSTMENT | | ANSI/ASME RATING | | | PIPE SIZE | BODY HEIGHT | | | | |
|-----------------------|---------------------|--------------|--|----------------|----------------|-----------|-------------------|--------------|--------------|------------------|---------------------|
| | MIN | MAX | FREE AREA | LOAD RATING | | | NO HUB (STANDARD) | PUSH ON (P) | THREADED (T) | INSIDE CAULK (X) | PVC/ABS (-30)/(-31) |
| | | | | N.B. (-1) Lbs. | D.I. (-4) Lbs. | | | | | | |
| 5" x 5" (127 x 127) | 5/8" (15) | 1 9/16" (40) | 9 in ² (5800 ²) | Up To 7499 | - | 2" (51) | 3" (76) | 3 3/8" (86) | 2 1/4" (57) | 3 3/4" (95) | 2 15/16" (75) |
| 6" x 6" (152 x 152) | 7/8" (22) | 1 9/16" (40) | 12 in ² (7700 ²) | Up To 7499 | - | 3" (76) | 3" (76) | 3 3/8" (86) | 2 5/8" (67) | 3 3/4" (95) | 3 3/4" (95) |
| 8" x 8" (203 x 203) | 1 1/4" (32) | 2 3/16" (56) | 26 in ² (16800 ²) | Up To 7499 | Over 10000 | 4" (102) | 3" (76) | 3 3/8" (86) | 2 5/8" (67) | 3 3/4" (95) | 3 3/4" (95) |
| 10" x 10" (254 x 254) | 1 1/4" (32) | 2 3/16" (56) | 28 in ² (19913 ²) | - | - | 5" (127) | 3" (76) | - | 2 5/8" (67) | 3 3/4" (95) | - |
| | | | | | | 6" (152) | 3 1/4" (83) | 6 1/2" (165) | - | - | - |

| SUFFIX | OPTIONAL VARIATIONS |
|--------|--|
| -1 | Nickel bronze strainer (standard) |
| -4 | Ductile iron strainer (5", 8" only) |
| -5 | Sediment bucket |
| -6 | Security screws (T-20 Torx & pin) |
| -7 | 1/2" trap seal primer connection |
| -8 | Backwater valve (2", 3", 4") |
| -11 | Acid resistant epoxy coated body |
| -13 | Galvanized body |
| -15 | Extension |
| -21 | Secondary flat stainless steel strainer (2", 3", 4") |
| -28 | Stainless steel body (Type 304) |
| -30 | PVC socket connection body |
| -31 | ABS socket connection body |
| -34 | Closure plug |
| -40 | Underdeck clamp |
| -41 | Sump receiver |
| -49 | Chrome plated strainer |

| | |
|------------|--|
| -50 | Lacquered cast iron funnel |
| -90 | Threaded side outlet (2", 3", 4") (cast iron only) |
| -90NH | No hub side outlet (2", 3", 4") (cast iron only) |
| -95 | Client logo |
| -BA | Buy American Act compliant product |
| -C2 | High rough-in membrane clamp (min. 1 9/16" (40)) |
| -F4 | 4" Round funnel |
| -F6 | 6" Round funnel |
| (Standard) | No hub outlet |
| -G | Oval 4" x 9" funnel |
| -J | 6" x 3" x 1" funnel |
| -MG | MI-GARD Floor Drain Trap Sealer (2", 3" or 4") |
| P | Push on outlet |
| -PA | Pennsylvania Steel Act compliant product |
| T | Threaded outlet (2", 3", 4") |
| X | Inside caulk outlet |
| -Z | Extended wide elastomeric flange |

CALIFORNIA PROPOSITION 65 WARNING. This product contains chemicals known to the State of California to cause cancer and birth defects or other reproductive harm.

Job Name: _____ Page No: _____

Section No: _____ Contractor: _____

Schedule No: _____ Purchase Order No: _____