

Location: \_\_\_\_\_

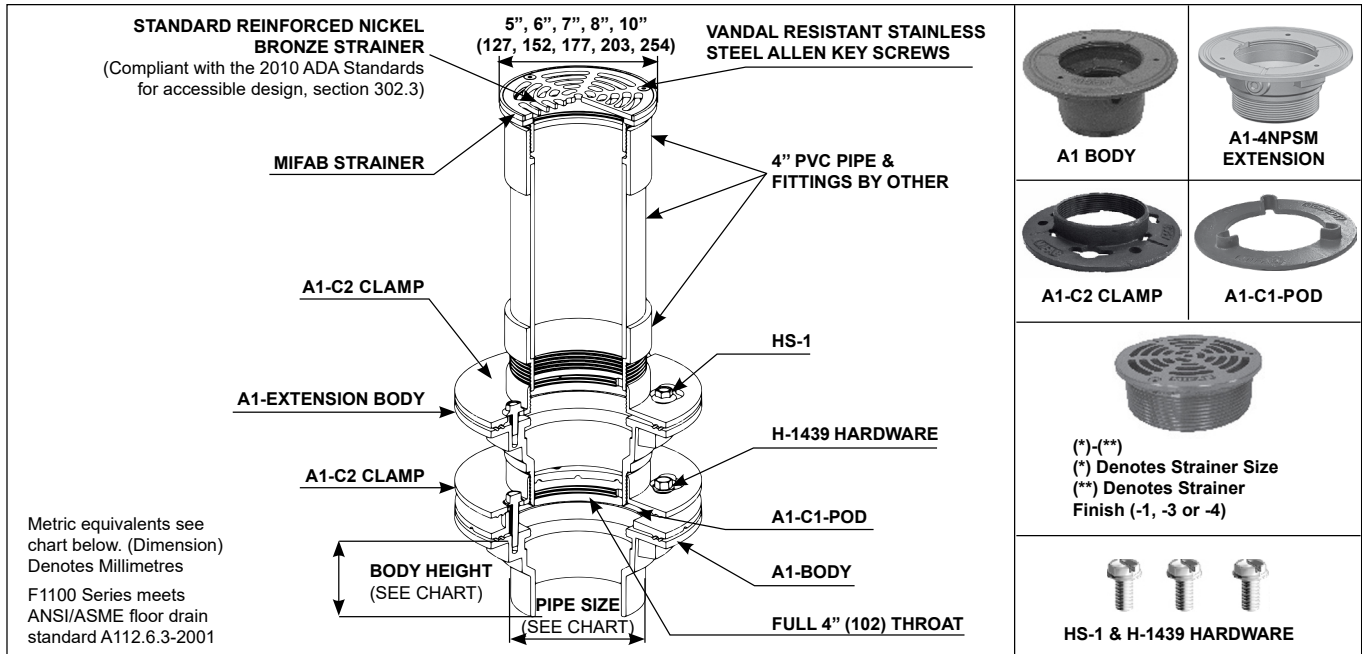


**F1100-C-PLA**

**PLANTER  
PODIUM DRAIN**

**Specification:** MIFAB® Series F1100 (\*)-1 (\* specify strainer diameter) lacquered cast iron floor drain with anchor flange, high rough-in membrane clamp, extension body, drain body clamp and standard satin finished nickel bronze strainer with vandal resistant stainless steel allen key screws.

**Function:** Typically used in planters which are integrated into various locations across the podium. Planters require a secondary concrete pour - over the podium's primary drainage membrane. MIFAB's system allows the use of a second drain body to properly drain and waterproof the interior of the planter.



Metric equivalents see chart below. (Dimension Denotes Millimetres)  
F1100 Series meets ANSI/ASME floor drain standard A112.6.3-2001

STRAINER DIAMETER	ANSI/ASME RATING			PIPE SIZE	BODY HEIGHT				
	FREE AREA	LOAD RATING			NO HUB (STANDARD)	PUSH ON (P)	THREADED (T)	INSIDE CAULK (X)	PVC/ABS (-30)/(-31)
		N.B. (-1)	S.S. (-3)						
5" (127)	8 in <sup>2</sup> (52002)	Up To 2000 Lbs.	Up To 2000 Lbs.	2" (51)	3" (76)	3 3/8" (86)	2 1/4" (57)	3 3/4" (95)	2 15/16" (75)
6" (152)	9 in <sup>2</sup> (58002)	Up To 2000 Lbs.	-	3" (76)	3" (76)	3 3/8" (86)	2 5/8" (67)	3 3/4" (95)	3 3/4" (95)
7" (177)	12 in <sup>2</sup> (77002)	Up To 2000 Lbs.	-	4" (102)	3" (76)	3 3/8" (86)	2 5/8" (67)	3 3/4" (95)	3 3/4" (95)
8" (203)	18 in <sup>2</sup> (116002)	Up To 2000 Lbs.	Over 10000 Lbs.	5" (127)	3" (76)	--	2 5/8" (67)	3 3/4" (95)	--
10" (254)	26 in <sup>2</sup> (171702)	Up To 2000 Lbs.	-	6" (152)	3 1/4" (83)	6 1/2" (165)	--	--	--

SUFFIX	OPTIONAL VARIATIONS
-1	Nickel bronze strainer (standard)
-2	Polished brass strainer (5" only)
-3	Stainless steel strainer
-4	Ductile iron strainer (5", 8" only)
-5	Sediment bucket
-6	Security screws (T-20 Torx & pin)
-7	1/2" trap seal primer connection
-8	Backwater valve (2", 3", 4")
-11	Acid resistant epoxy coated body
-13	Galvanized body
-15	Extension
-21	Secondary flat stainless steel strainer (2", 3", 4")
-30	PVC socket connection body
-31	ABS socket connection body
-34	Closure plug
-40	Underdeck clamp
-41	Sump receiver

SUFFIX	OPTIONAL VARIATIONS
-49	Chrome plated strainer
-50	Lacquered cast iron funnel
-90	Threaded side outlet (2", 3", 4") (cast iron only)
-90NH	No hub side outlet (2", 3", 4") (cast iron only)
-95	Client logo
-BA	Buy American Act compliant product
-F4	4" Round funnel
-F6	6" Round funnel
-G	Oval 4" x 9" funnel
-HP	Heel proof grate (1/4" maximum grate opening size, -3 only)
-J	6" x 3" x 1" funnel
-MG	MI-GARD Floor Drain Trap Sealer (2", 3" or 4")
P	Push on outlet
-PA	Pennsylvania Steel Act compliant product
T	Threaded outlet (2", 3", 4")
X	Inside caulk outlet
-Z	Extended wide elastomeric flange

CALIFORNIA PROPOSITION 65 WARNING. This product contains chemicals known to the State of California to cause cancer and birth defects or other reproductive harm.

Job Name: \_\_\_\_\_ Page No: \_\_\_\_\_  
 Section No: \_\_\_\_\_ Contractor: \_\_\_\_\_  
 Schedule No: \_\_\_\_\_ Purchase Order No: \_\_\_\_\_