

4

3

2

1

REVISIONS				
ZONE	REV	DESCRIPTION	DATE	APPROVED
ALL	0	RELEASE	DATE	JG

MIFAB STRAINER →

PVC-4-FS-FT →

PIPE BY OTHERS →

PVC-4-FS-MT →

A1-C2 & HS-1 →

A1-4NPSM →

A1-C2 & H-1439 →

A1-C1-POD →

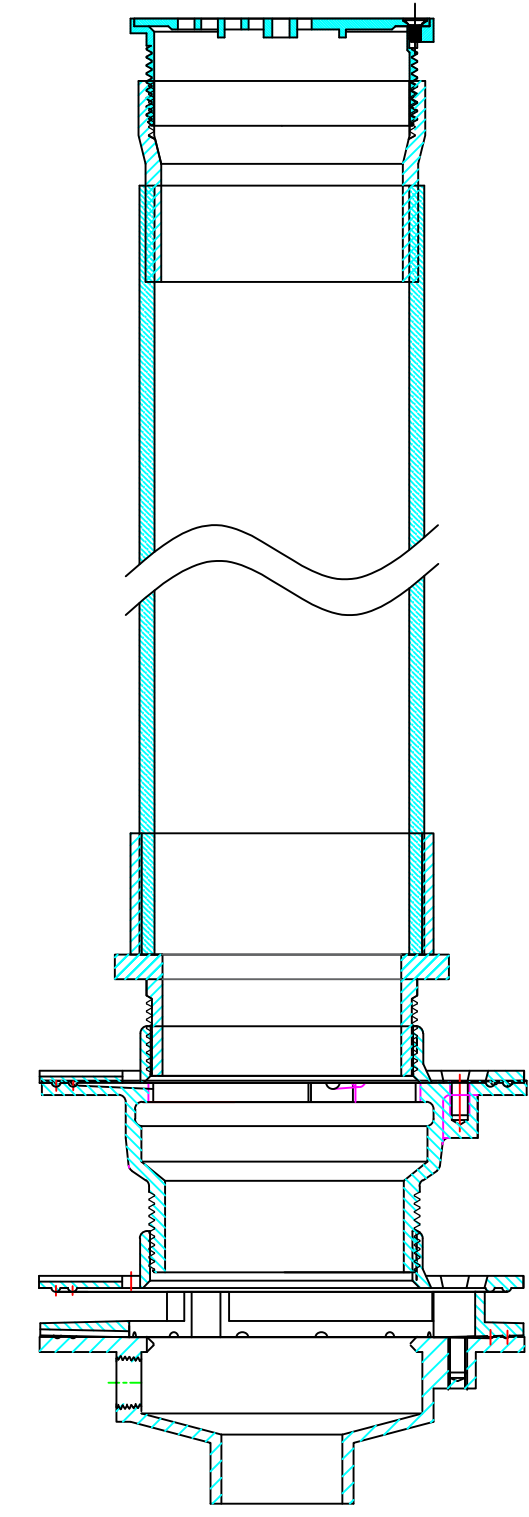
A1-BODY →

D

C

B

A



TOLERANCES  
(UNLESS OTHERWISE SPECIFIED)

.X ± .03  
.XX ± .015  
.XXX ± .010  
∠ ± 1°

TYP. DRAFT ANGLE = 2°



F1100-C-PLA SERIES LAYOUT

DRAWN BY MQ	SIZE C	COLOR/FINISH RED PAINT	DWG NO. F1100-C-PLA SERIES	REV 0
APPROVED BY	SCALE	MAT'L	SHEET 1 of 1	

4

3

2

1