

Location: _____

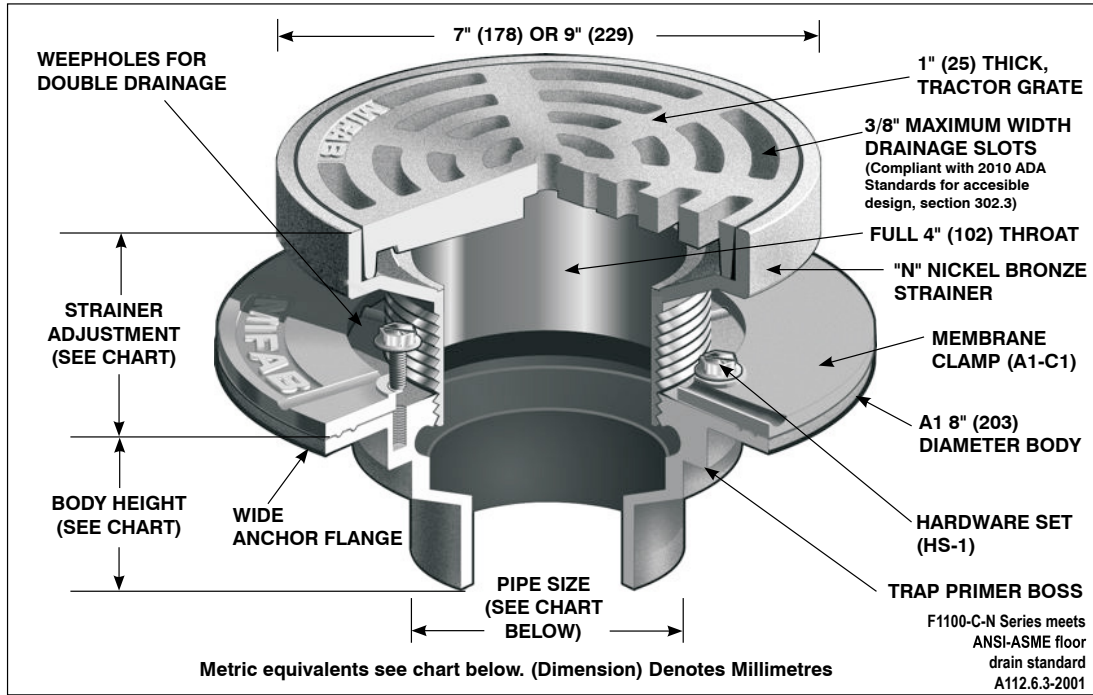


**F1100-C-N7/
F1100-C-N9**

**FLOOR DRAIN WITH 7" OR 9" TRACTOR
GRATE FOR MEMBRANE FLOOR AREAS**

Specification: MIFAB® Series F1100-C-N lacquered cast iron floor drain with anchor flange, cast iron clamp ring with primary and secondary weepholes for waterproofing membrane, and 7" (178) or 9" (235) (specify N7 or N9) (specify material finish) tractor grate. (For non-membrane floors, use MIFAB F1100-N Series.)

Function: Used in restaurants, hospitals, industrial laboratories, and other membrane finished areas where heavy wheeled loads are expected and loose set, non tilt tractor grate is needed. Membrane clamp is provided to secure the waterproofing membrane.



PARTS:



A1 BODY



N(*)-(**)
(*) Denotes Strainer Size, 7" or 9"
(**) Denotes Strainer Finish (-1, -3 or -4)



A1-C1



HS-1

STRAINER SIZE	STRAINER ADJUSTMENT		ANSI/ASME RATING		PIPE SIZE	BODY HEIGHT				
	MIN	MAX	FREE AREA	LOAD RATING		NO HUB (STANDARD)	PUSH ON (P)	THREADED (T)	INSIDE CAULK (X)	PVC/ABS (-30)/(-31)
7" (178)	1 5/8" (41)	2 5/8" (67)	11.00 in ² (7096 ²)	ANSI/ASME LOAD CLASS "SPECIAL DUTY" (OVER 10,000 LBS.)	2" (51)	3" (76)	3 3/8" (86)	2 1/4" (57)	3 3/4" (95)	2 15/16" (75)
					3" (76)	3" (76)	3 3/8" (86)	2 5/8" (67)	3 3/4" (95)	3 3/4" (95)
9" (229)	1 5/8" (41)	2 5/8" (67)	18 in ² (11,613 ²)	(OVER 10,000 LBS.)	4" (102)	3" (76)	3 3/8" (86)	2 5/8" (67)	3 3/4" (95)	3 3/4" (95)
					5" (127)	3" (76)	--	2 5/8" (67)	3 3/4" (95)	--
					6" (152)	3 1/4" (83)	6 1/2" (165)	--	--	--

- SUFFIX OPTIONAL VARIATIONS**
- 1 Nickel bronze strainer
 - 3 Stainless steel strainer (vener for 9")
 - 4 Ductile iron strainer assembly
 - 5 Sediment bucket
 - 6 Security screws (T-20 Torx & pin)
 - 7 1/2" trap seal primer connection
 - 8 Backwater valve (2", 3", 4")
 - 11 Acid resistant epoxy coated body
 - 13 Galvanized body
 - 15 Extension
 - 21 Secondary flat stainless steel strainer (2", 3", 4")
 - 28 Stainless steel body (Type 304)
 - 30 PVC socket connection body
 - 31 ABS socket connection body
 - 34 Closure plug
 - 40 Underdeck clamp
 - 41 Sump receiver

- SUFFIX OPTIONAL VARIATIONS**
- 50 Lacquered cast iron dome
 - 90 Threaded side outlet (2", 3", 4") (cast iron only)
 - 90NH No hub side outlet (2", 3", 4") (cast iron only)
 - 95 Client logo
 - BA Minimum 51% material cost made in the USA
 - C2 High rough-in membrane clamp (min. 1 9/16" (40))
 - F4 4" Round funnel
 - F6 6" Round funnel
 - G Oval 4" x 9" funnel
 - J 6" x 3" x 1" funnel
 - (Standard) No hub outlet
 - MG MI-GARD Floor Drain Trap Sealer (2", 3" or 4")
 - P Push on outlet
 - PA Pennsylvania Steel Act compliant product
 - T Threaded outlet (2", 3", 4")
 - X Inside caulk outlet
 - Z Extended wide elastomeric flange

CALIFORNIA PROPOSITION 65 WARNING. This product contains chemicals known to the State of California to cause cancer and birth defects or other reproductive harm.

Job Name: _____ Page No: _____

Section No: _____ Contractor: _____

Schedule No: _____ Purchase Order No: _____