

Location: _____

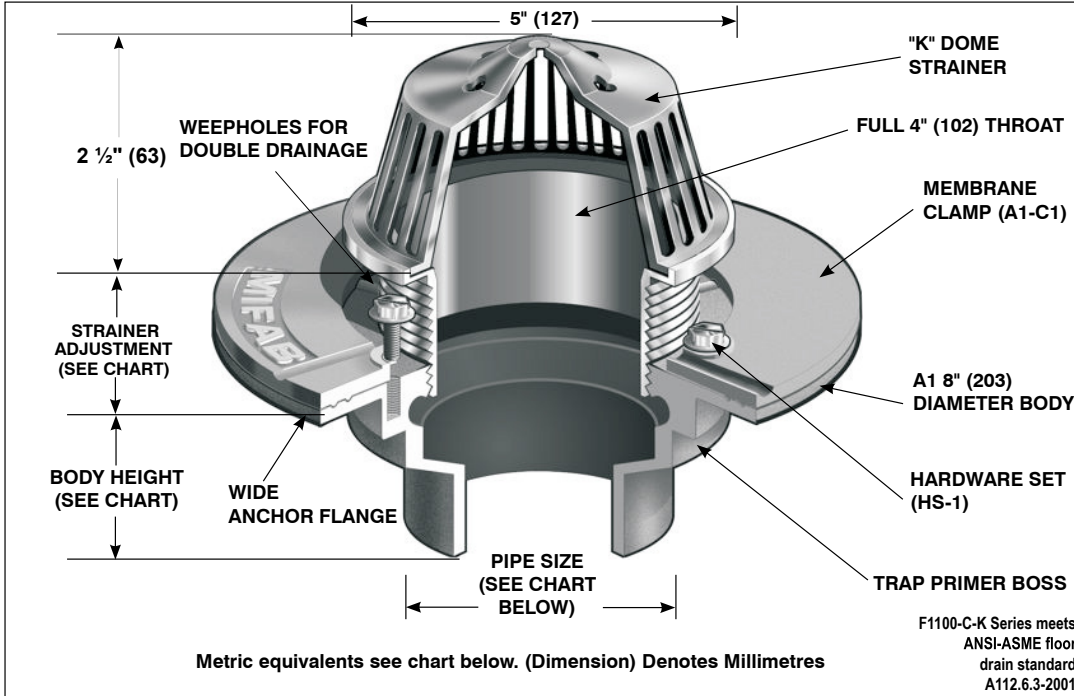


F1100-C-K


FLOOR DRAIN WITH RECESSED FLANGE FOR MEMBRANE FLOOR AREAS

Specification: MIFAB® Series F1100-C-K lacquered cast iron floor drain with anchor flange, cast iron membrane clamp ring with primary and secondary weepholes for waterproofing membrane, and "K" dome (specify material finish) strainer. (For non-membrane floors, use MIFAB F1100-K Series.)

Function: Used in recessed areas and gutters and other membrane finished areas where debris build up occurs. The dome strainer provides drainage even when partly covered. Membrane clamp is provided to secure the waterproofing membrane.




PARTS:




A1 BODY



K-(-)
(*) Denotes Strainer Finish (-1 or -3)



A1-C1



HS-1

F1100-C-K Series meets ANSI-ASME floor drain standard A112.6.3-2001

STRAINER SIZE	STRAINER ADJUSTMENT		ANSI/ASME RATING FREE AREA	PIPE SIZE	BODY HEIGHT				
	MIN	MAX			NO HUB (STANDARD)	PUSH ON (P)	THREADED (T)	INSIDE CAULK (X)	PVC/ABS (-30)/(-31)
5" (127)	1/2" (13)	1 1/2" (38)	15 in ² (9677 ²)	2" (51)	3" (76)	3 3/8" (86)	2 1/4" (57)	3 3/4" (95)	2 15/16" (75)
				3" (76)	3" (76)	3 3/8" (86)	2 5/8" (67)	3 3/4" (95)	3 3/4" (95)
				4" (102)	3" (76)	3 3/8" (86)	2 5/8" (67)	3 3/4" (95)	3 3/4" (95)
				5" (127)	3" (76)	--	2 5/8" (67)	3 3/4" (95)	--
				6" (152)	3 1/4" (83)	6 1/2" (165)	--	--	--

- SUFFIX OPTIONAL VARIATIONS**
- 1 Nickel bronze strainer
 - 3 Stainless steel strainer
 - 5 Sediment bucket
 - 6 Security screws (T-20 Torx & pin)
 - 7 1/2" trap seal primer connection
 - 8 Backwater valve (2", 3", 4")
 - 11 Acid resistant epoxy coated body
 - 13 Galvanized body
 - 15 Extension
 - 21 Secondary flat stainless steel strainer (2", 3", 4")
 - 28 Stainless steel body (Type 304)
 - 30 PVC socket connection body
 - 31 ABS socket connection body
 - 34 Closure plug
 - 40 Underdeck clamp
 - 41 Sump receiver

- SUFFIX OPTIONAL VARIATIONS**
- 50 Lacquered cast iron dome
 - 83 Stainless steel mesh screen over dome
 - 90 Threaded side outlet (2", 3", 4") (cast iron only)
 - 90NH No hub side outlet (2", 3", 4") (cast iron only)
 - 95 Client logo
 - BA Minimum 51% material cost made in the USA
 - C2 High rough-in membrane clamp (min. 1 9/16" (40) (Standard) No hub outlet
 - G Oval 4" x 9" funnel
 - J 3" x 1" funnel
 - MG MI-GARD Floor Drain Trap Sealer (2", 3" or 4")
 - P Push on outlet
 - PA Pennsylvania Steel Act compliant product
 - T Threaded outlet (2", 3", 4")
 - X Inside caulk outlet
 - Z Extended wide elastomeric flange

CALIFORNIA PROPOSITION 65 WARNING. This product contains chemicals known to the State of California to cause cancer and birth defects or other reproductive harm.

Job Name: _____ Page No: _____
 Section No: _____ Contractor: _____
 Schedule No: _____ Purchase Order No: _____