

Location: \_\_\_\_\_

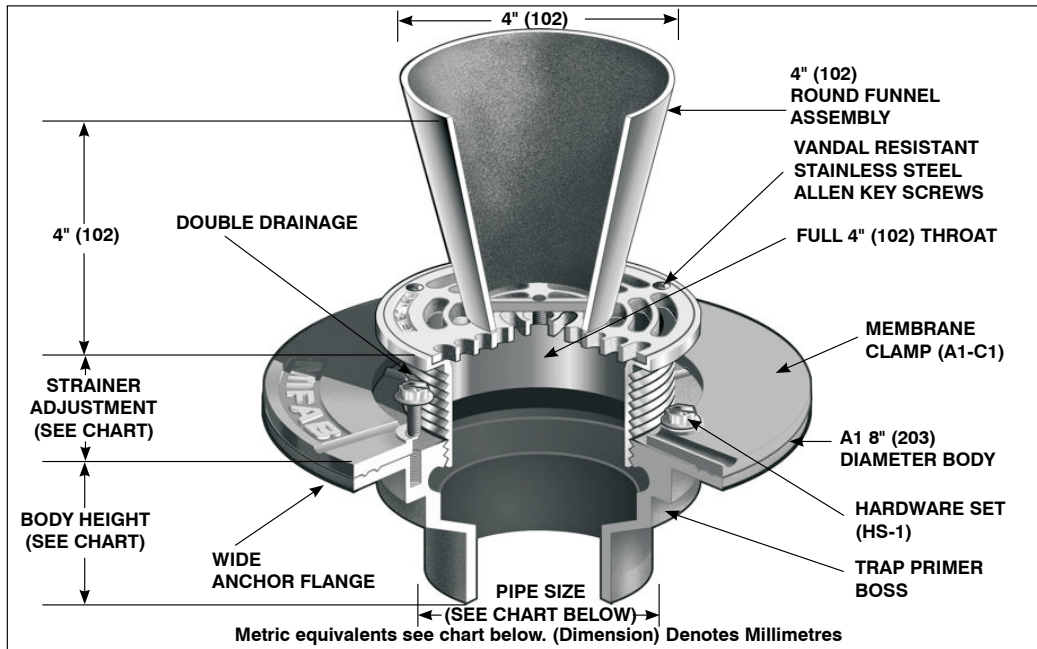


# F1100-C-EF

## ROUND FUNNEL FLOOR DRAIN FOR MEMBRANE FLOOR AREAS

**Specification:** MIFAB® Series F1100-C-EF lacquered cast iron floor drain with anchor flange, cast iron membrane clamp ring with primary and secondary weepholes for waterproofing membrane, and standard 4" (102) round (specify strainer finish) bronze funnel assembly with vandal resistant allen key screws. (For non-membrane floors, use MIFAB F1100-EF Series.)

**Function:** Used in restaurants, hospitals, industrial laboratories, and other membrane finished areas where indirect waste lines above the floor drip condensate or waste water into the hub. The funnel prevents splashing and directs the waste into the drain. The exposed section of the grate will drain any other water on the floor. The funnel is bolted to the grate with a concealed screw and may be moved to any other grate location. The 4" round funnel is recommended for single pipe use only. Membrane clamp is provided to secure the waterproofing membrane.



**PARTS:**

A1 BODY

A1-C1

HS-1

F1100-C-EF Series meets ANSI-ASME floor drain standard A112.6.3-2001

STRAINER DIAMETER	STRAINER ADJUSTMENT		PIPE SIZE	BODY HEIGHT				
	MIN	MAX		NO HUB (STANDARD)	PUSH ON (P)	THREADED (T)	INSIDE CAULK (X)	PVC/ABS (-30)/(-31)
5" (127)	1/2" (13)	1 1/2" (38)	2" (51)	3" (76)	3 3/8" (86)	2 1/4" (57)	3 3/4" (95)	2 15/16" (75)
			3" (76)	3" (76)	3 3/8" (86)	2 5/8" (67)	3 3/4" (95)	3 3/4" (95)
			4" (102)	3" (76)	3 3/8" (86)	2 5/8" (67)	3 3/4" (95)	3 3/4" (95)
			5" (127)	3" (76)	--	2 5/8" (67)	3 3/4" (95)	--
			6" (152)	3 1/4" (83)	6 1/2" (165)	--	--	--

**SUFFIX OPTIONAL VARIATIONS**

- 1 Nickel bronze strainer (standard)
- 3 Stainless steel strainer
- 5 Sediment bucket
- 6 Security screws (T-20 Torx & pin)
- 7 1/2" trap seal primer connection
- 8 Backwater valve (2", 3", 4")
- 11 Acid resistant epoxy coated body
- 13 Galvanized body
- 15 Extension
- 21 Secondary flat stainless steel strainer (2", 3", 4")
- 28 Stainless steel body (Type 304)
- 30 PVC socket connection body
- 31 ABS socket connection body
- 34 Closure plug

**SUFFIX OPTIONAL VARIATIONS**

- 40 Underdeck clamp
- 41 Sump receiver
- 49 Chrome plated strainer
- 50 Lacquered cast iron funnel for unfinished areas
- 90 Threaded side outlet (2", 3", 4") (cast iron only)
- 90NH No hub side outlet (2", 3", 4") (cast iron only)
- 95 Client logo
- BA Minimum 51% material cost made in the USA
- C2 High rough-in membrane clamp (min. 1 9/16" (40))
- (Standard) No hub outlet
- MG MI-GARD Floor Drain Trap Sealer (2", 3" or 4")
- P Push on outlet
- PA Pennsylvania Steel Act compliant product
- T Threaded outlet (2", 3", 4")
- X Inside caulk outlet
- Z Extended wide elastomeric flange

CALIFORNIA PROPOSITION 65 WARNING. This product contains chemicals known to the State of California to cause cancer and birth defects or other reproductive harm.

Job Name: \_\_\_\_\_ Page No: \_\_\_\_\_

Section No: \_\_\_\_\_ Contractor: \_\_\_\_\_

Schedule No: \_\_\_\_\_ Purchase Order No: \_\_\_\_\_