

Location: _____

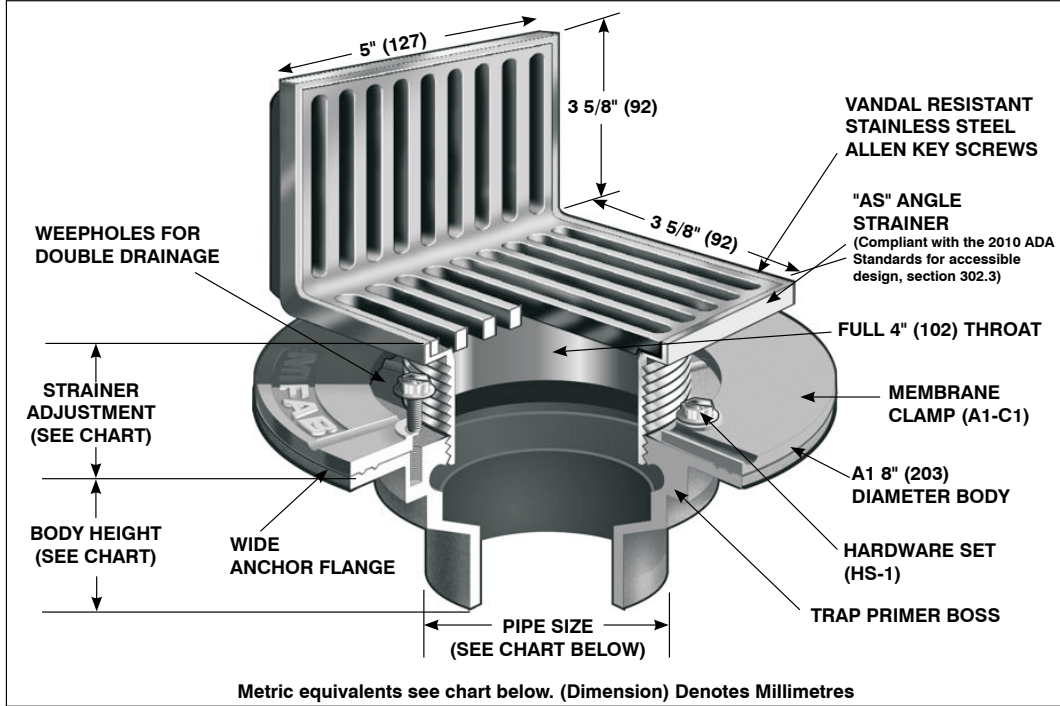


F1100-C-AS





FLOOR DRAIN WITH ANGLE STRAINER FOR MEMBRANE FLOOR AREAS

Specification: MIFAB® Series F1100-C-AS-1 lacquered cast iron floor drain with anchor flange, cast iron membrane clamp ring with primary and secondary weepholes for waterproofing membrane, and "AS" angle satin finished nickel bronze strainer with vandal resistant stainless steel allen key screws. (For non-membrane floors, use MIFAB F1100-AS Series.)

Function: Used in showers, kitchens, restrooms, and other membrane finished areas where the drain is installed at the floor and wall junction. The vertical grate openings allow water to continue to drain if the horizontal grate openings become clogged. Membrane clamp is provided to secure the waterproofing membrane.



PARTS:

-  A1 BODY
-  AS-1
-  A1-C1
-  HS-1

F1100-C-AS Series meets ANSI-ASME floor drain standard A112.6.3-2001

STRAINER SIZE	STRAINER ADJUSTMENT		ANSI/ASME RATING		PIPE SIZE	BODY HEIGHT				
			FREE AREA	LOAD RATING		NO HUB (STANDARD)	PUSH ON (P)	THREADED (T)	INSIDE CAULK (X)	PVC/ABS (-30)/(-31)
	MIN	MAX								
4" x 5" x 4" (102) x (127) x (102)	1/2" (13)	1 5/8" (41)	30.0 in ² (19354 ²)	UP TO 2,000 LBS.	2" (51)	3" (76)	3 3/8" (86)	2 1/4" (57)	3 3/4" (95)	2 15/16" (75)
					3" (76)	3" (76)	3 3/8" (86)	2 5/8" (67)	3 3/4" (95)	3 3/4" (95)
					4" (102)	3" (76)	3 3/8" (86)	2 5/8" (67)	3 3/4" (95)	3 3/4" (95)
					5" (127)	3" (76)	--	2 5/8" (67)	3 3/4" (95)	--
					6" (152)	3 1/4" (83)	6 1/2" (165)	--	--	--

SUFFIX OPTIONAL VARIATIONS

- 1 Nickel bronze strainer (standard)
- 5 Sediment bucket
- 6 Security screws (T-20 Torx & pin)
- 7 1/2" trap seal primer connection
- 8 Backwater valve (2", 3", 4")
- 11 Acid resistant epoxy coated body
- 13 Galvanized body
- 15 Extension
- 21 Secondary flat stainless steel strainer (2", 3", 4")
- 28 Stainless steel body (Type 304)
- 30 PVC socket connection body
- 31 ABS socket connection body
- 34 Closure plug
- 40 Underdeck clamp
- 41 Sump receiver

SUFFIX OPTIONAL VARIATIONS

- 49 Chrome plated strainer
- 50 Lacquered cast iron funnel
- 90 Threaded side outlet (2", 3", 4") (cast iron only)
- 90NH No hub side outlet (2", 3", 4") (cast iron only)
- 95 Client logo
- BA Minimum 51% material cost made in the USA
- C2 High rough-in membrane clamp (min. 1 9/16" (40))
- (Standard) No hub outlet
- MG MI-GARD Floor Drain Trap Sealer (2", 3" or 4")
- P Push on outlet
- PA Pennsylvania Steel Act compliant product
- T Threaded outlet (2", 3", 4")
- X Inside caulk outlet
- Z Extended wide elastomeric flange

CALIFORNIA PROPOSITION 65 WARNING. This product contains chemicals known to the State of California to cause cancer and birth defects or other reproductive harm.

Job Name: _____ Page No: _____

Section No: _____ Contractor: _____

Schedule No: _____ Purchase Order No: _____