

Location: _____

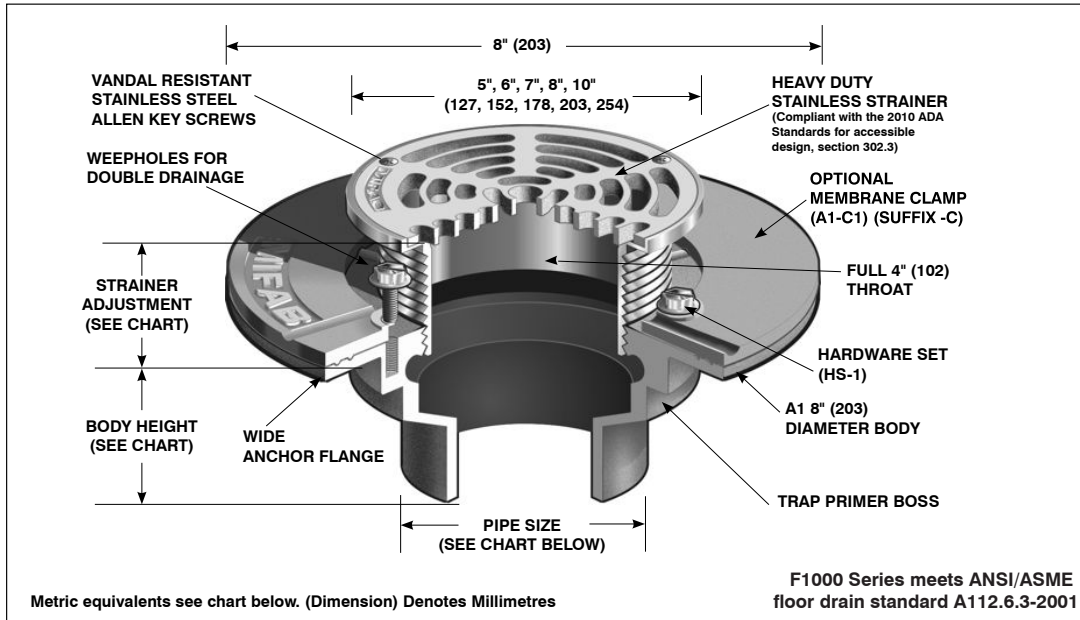


F1000

FLOOR DRAIN WITH HEAVY DUTY STAINLESS STEEL STRAINER

Specification: MIFAB® Series F1000-(*)-3 (* specify strainer diameter) lacquered cast iron floor drain with anchor flange, weepholes, and standard heavy duty, polished stainless steel strainer. (For membrane floors, add -C to Series number).

Function: Used in showers, kitchens, restrooms, and other non-membrane finished areas. Round adjustable stainless steel strainer is used for all types of poured finished floors. Strainer will not dish or corrode and is foot friendly.



STRAINER DIAMETER	STRAINER ADJUSTMENT		FREE AREA	ANSI/ASME RATING		PIPE SIZE	BODY HEIGHT				
	MIN	MAX		LOAD RATING			NO HUB (STANDARD)	PUSH ON (P)	THREADED (T)	INSIDE CAULK (X)	PVC/ABS (-30)/(-31)
				N.B. (-1)	S.S. (-3)						
5" (127)	1/2" (38)	1 1/2" (38)	8 in ² (5200 ²)	Up To 2000 Lbs.	5000 To 7499 Lbs.	2" (51)	3" (76)	3 3/8" (86)	2 1/4" (57)	3 3/4" (95)	2 15/16" (75)
6" (152)	11/16" (17)	1 1/2" (38)	9 in ² (5800 ²)	Up To 2000 Lbs.	5000 To 7499 Lbs.	3" (76)	3" (76)	3 3/8" (86)	2 5/8" (67)	3 3/4" (95)	3 3/4" (95)
7" (178)	9/16" (14)	1 9/16" (40)	12 in ² (7700 ²)	Up To 2000 Lbs.	5000 To 7499 Lbs.	4" (102)	3" (76)	3 3/8" (86)	2 5/8" (67)	3 3/4" (95)	3 3/4" (95)
8" (203)	1 1/16" (17)	2 1/4" (57)	18 in ² (11600 ²)	Up To 2000 Lbs.	5000 To 7499 Lbs.	5" (127)	3" (76)	--	2 5/8" (67)	3 3/4" (95)	--
10" (254)	1 1/16" (17)	2 1/4" (57)	26 in ² (17170 ²)	Up To 2000 Lbs.	5000 To 7499 Lbs.	6" (152)	3 1/4" (83)	6 1/2" (165)	--	--	--

SUFFIX	OPTIONAL VARIATIONS
-3	Stainless steel strainer
-5	Sediment bucket
-6	Security screws (T-20 Torx & pin)
-7	1/2" trap seal primer connection
-8	Backwater valve (2", 3", 4")
-11	Acid resistant epoxy coated body
-13	Galvanized body
-15	Extension
-21	Secondary flat stainless steel strainer (2", 3", 4")
-28	Stainless steel body (Type 304)
-30	PVC socket connection body
-31	ABS socket connection body
-34	Closure plug
-40	Underdeck clamp
-41	Sump receiver
-69	Stainless Steel sediment bucket (A1-SSB)

-90	Threaded side outlet (2", 3", 4")
-90NH	No hub side outlet (2", 3", 4")
-95	Client logo
-BA	Minimum 51% material cost made in the USA
-C2	High rough-in membrane clamp (min. 1 9/16" (40))
-F4	4" Round funnel
-F6	6" Round funnel
-G	Oval 4" x 9" funnel
-HP	Heel proof grate (1/4" maximum grate opening size, -3 only)
-J	6" x 3" x 1" funnel
-MG	MI-GARD Floor Drain Trap Sealer (2", 3" or 4")
P	Push on outlet
-PA	Pennsylvania Steel Act compliant product
T	Threaded outlet (2", 3", 4")
X	Inside caulk outlet
-Z	Extended wide elastomeric flange

CALIFORNIA PROPOSITION 65 WARNING. This product contains chemicals known to the State of California to cause cancer and birth defects or other reproductive harm.

Job Name: _____ Page No: _____

Section No: _____ Contractor: _____

Schedule No: _____ Purchase Order No: _____