

Location: \_\_\_\_\_

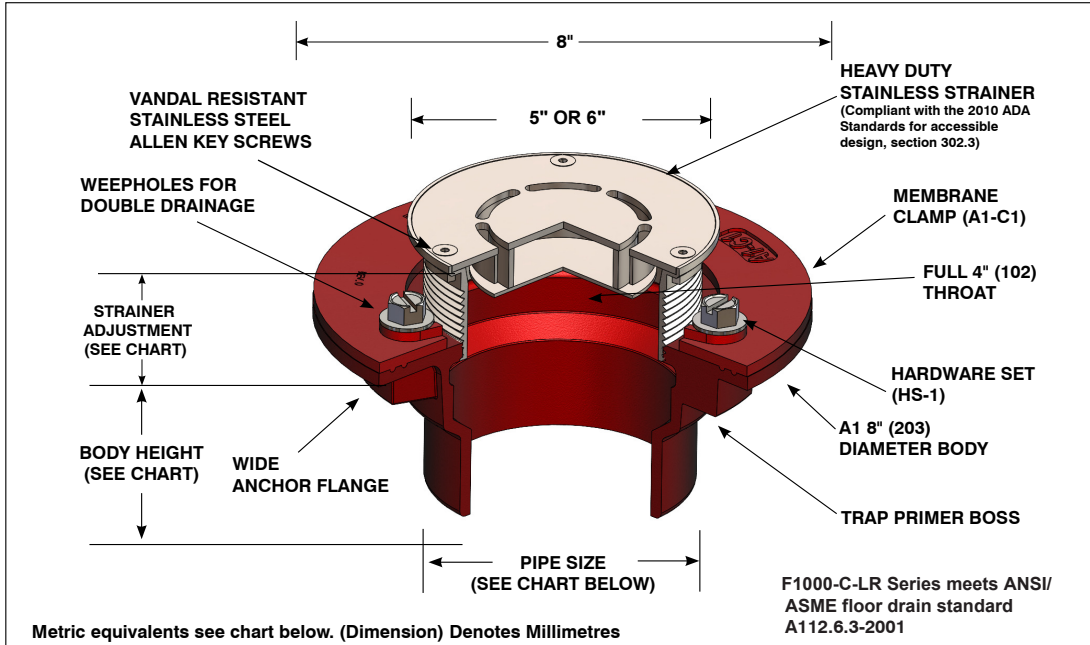


# F1000-C-LR


## FLOOR DRAIN WITH HEAVY DUTY STAINLESS STEEL LIGATURE RESISTANT STRAINER

**Specification:** MIFAB® Series F1000-C-LR(\*)-3 (\* specify strainer diameter) lacquered cast iron floor drain with anchor flange, weepholes, membrane clamp, and ligature resistant, heavy duty stainless steel strainer.

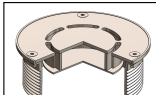
**Function:** Used in security areas that have water proof membrane application. Unique strainer design limits the ability for picking, tying-off and hiding contraband. Round, adjustable stainless steel strainer is used for all types of finished floors.



**PARTS:**




A1 BODY




MEMBRANE CLAMP (A1-C1)

(\*) -3  
(\*) Denotes Strainer Size



A1-8



HS-1

Metric equivalents see chart below. (Dimension) Denotes Millimetres

| STRAINER DIAMETER | STRAINER ADJUSTMENT |             | ANSI/ASME RATING     |                            |
|-------------------|---------------------|-------------|----------------------|----------------------------|
|                   | MIN                 | MAX         | FREE AREA            | LOAD RATING LBS. S.S. (-3) |
| 5" (127)          | 1/2" (38)           | 1 1/2" (38) | 1.80 in <sup>2</sup> | 5000 To 7499               |
| 6" (152)          | 11/16" (17)         | 1 1/2" (38) | 2.50 in <sup>2</sup> | 5000 To 7499               |

| PIPE SIZE | BODY HEIGHT       |              |              |                  |                     |
|-----------|-------------------|--------------|--------------|------------------|---------------------|
|           | NO HUB (STANDARD) | PUSH ON (P)  | THREADED (T) | INSIDE CAULK (X) | PVC/ABS (-30)/(-31) |
| 2" (51)   | 3" (76)           | 3 3/8" (86)  | 2 1/4" (57)  | 3 3/4" (95)      | 2 15/16" (75)       |
| 3" (76)   | 3" (76)           | 3 3/8" (86)  | 2 5/8" (67)  | 3 3/4" (95)      | 3 3/4" (95)         |
| 4" (102)  | 3" (76)           | 3 3/8" (86)  | 2 5/8" (67)  | 3 3/4" (95)      | 3 3/4" (95)         |
| 5" (127)  | 3" (76)           | --           | 2 5/8" (67)  | 3 3/4" (95)      | --                  |
| 6" (152)  | 3 1/4" (83)       | 6 1/2" (165) | --           | --               | --                  |

| SUFFIX | OPTIONAL VARIATIONS                                  |
|--------|--|
| -5     | Sediment bucket                                      |
| -6     | Security screws (T-20 Torx & pin)                    |
| -7     | 1/2" trap seal primer connection                     |
| -8     | Backwater valve (2", 3", 4")                         |
| -11    | Acid resistant epoxy coated body                     |
| -13    | Galvanized body                                      |
| -15    | Extension  |
| -21    | Secondary flat stainless steel strainer (2", 3", 4") |
| -28    | Stainless steel body (Type 304)                      |
| -30    | PVC socket connection body                           |
| -31    | ABS socket connection body                           |
| -34    | Closure plug   |
| -40    | Underdeck clamp                                      |
| -41    | Sump receiver  |
| -90    | Threaded side outlet (2", 3", 4")                    |

|       |  |
|-------|--|
| -90NH | No hub side outlet (2", 3", 4")                  |
| -95   | Client logo                                      |
| -BA   | Minimum 51% material cost made in the USA        |
| -C2   | High rough-in membrane clamp (min. 1 9/16" (40)) |
| -F4   | 4" Round funnel                                  |
| -F6   | 6" Round funnel                                  |
| -G    | Oval 4" x 9" funnel                              |
| -J    | 6" x 3" x 1" funnel                              |
| -MG   | MI-GARD Floor Drain Trap Sealer (2", 3" or 4")   |
| P     | Push on outlet                                   |
| -PA   | Pennsylvania Steel Act compliant product         |
| T     | Threaded outlet (2", 3", 4")                     |
| X     | Inside caulk outlet                              |
| -Z    | Extended wide elastomeric flange                 |

CALIFORNIA PROPOSITION 65 WARNING. This product contains chemicals known to the State of California to cause cancer and birth defects or other reproductive harm.

Job Name: \_\_\_\_\_ Page No: \_\_\_\_\_

Section No: \_\_\_\_\_ Contractor: \_\_\_\_\_

Schedule No: \_\_\_\_\_ Purchase Order No: \_\_\_\_\_