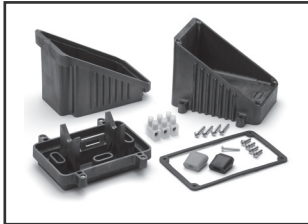


DL: COMMERCIAL CONNECTION ACCESSORIES

RTPC



RTST



RTES



DESCRIPTION

The DL Series Installation Accessories for heat tracing products represent state of the art in heat tracing. Each model in the series is designed to satisfy the demands of a particular operation. These hi-quality models combine A variety of functions in a convenient, easy to use and economical package.

1. Power Connection Box

- NEMA 4X enclosure
- Cable entry up to 3 cables
- ¾" conduit hub opening

2. Splice & Tee Box

- NEMA 4X enclosure
- Cable entry up to 3 cables
- Straight or tee connections

3. End Seal Fitting

- NEMA 4X enclosure
- Fits all pipe sizes
- Mounting feet for installing on flat surfaces

4. Stainless Steel Hardware

5. Corrosion and Weather

Resistant Ryton Construction

FEATURES

- Molded of durable plastic materials (ryton, PPS)1
- High service temperature
- Corrosion resistant
- Integrated connection accessories and controls
- Thermal stability
- Non-flammable
- High strength and rigidity
- Stainless steel hardware to ensure the integrity of the system
- Liquid tight designs prevents moisture reaching the electrical connections. All models are rated NEMA 4X

APPLICATIONS

Connection of all Rapid Trace Heating Cables to Customer Supplied Power Wiring in any of the following applications:

- Hydrocarbon and Chemical Product Piping
- Process Temperature Maintenance
- Fluid Flow and Viscosity Maintenance
- Freeze Protection



APPROVALS

UL, CSA and FM approved for most models. Consult for specific product information.

UL: Listed for ordinary areas

CSA Certified for Ordinary and:

- Class I, Div.2, Groups A, B, C, D
- Class II, Div. 2, Groups E, F, G

FM Approved for Ordinary and:

- Class I, Div. 2, Groups B, C, D
- Class II, Div. 2, Groups E, F
- Class III, Div. 2 Areas

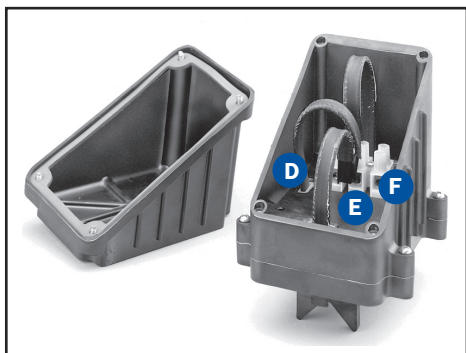
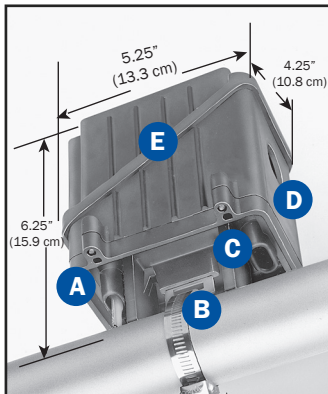
NOTES -

1. Ryton, is a registred trade name of Phillips Chemical Company
2. Depends on specific model and cable applied.

DL: COMMERCIAL CONNECTION ACCESSORIES

RTST: SPLICE & TEE KIT

RTST Splice & Tee Box is a NEMA 4X rated junction box designed to make straight or tee splices for all Rapid Trace Heating Cables. This model provides waterproof cable entry (for two cables for a splice or three cables for a tee), enclosure support, terminal block and a waterproof, corrosion resistant wiring enclosure. A pipe strap (SS or equal) is required to attach this model to a pipe.



RTST - SPLICE & TEE KIT

1 molded junction box consisting of:

- 1 base
- 1 box w/conduit opening
- 1 lid

(1) three position terminal block

(1) mounting screw for terminal block

(3) GRSR self-regulating cable sealing grommet

(3) GRCW constant wattage sealing grommet

ORDERING INFORMATION - RTST

Model	PCN	Stock	Wt. (Lbs.)
RTST	513148	S	1
RTST-SL1	513156	S	2
RTST-SL2	513164	S	2
RTST-SL3	513172	S	2

CONSTRUCTION:

- A** Three strategically placed cable entries allow maximum flexibility for insulation (heating cable cut away for clarity).
- B** Stainless steel tie down support provides positive attachment to pipes.
- C** Heavy duty support legs give stable pipe mounting and provide conduit clearance for applications with up to three inches of insulation.
- D** Oblique sided box and cover allow easy access for wiring. Cable grommets provide water-tight seal between base, box and cable. Use GRSR with all self-regulating cable. Use GRCW for constant wattage cables. Three of each grommet included in kit. See table below for spare grommets.
- E** Three position terminal block for easy wiring.
- F** Gasket provides water-tight seal between box and lid. It is affixed to the lid and holds the mounting hardware during assembly.

Note 1 - Refer to DL & EL General Application Accessories at the end of this section.

RTST-SL - SPLICE & TEE KIT WITH SIGNAL LIGHT (ORDINARY AREA ONLY)

1 molded junction box consisting of:

- 1 base
- 1 box w/conduit opening
- 1 lid with signal light installed (LED Style)
Specify: SL1(120V), SL2(208-240V), SL3(277V) operation

(1) three position terminal block

(1) mounting screw for terminal block

(1) GRSR self-regulating cable sealing grommet

(1) GRCW constant wattage sealing grommet

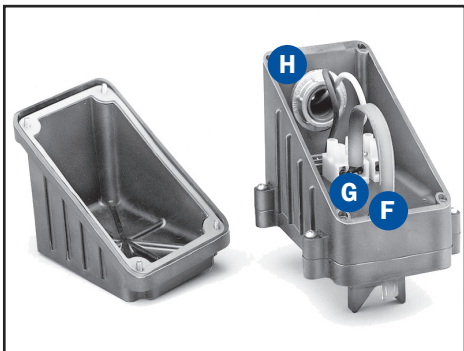
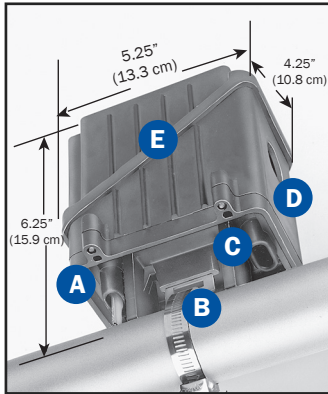
SPARE GROMMETS

	PCN
GRS RTD/Capillary type	513287
GRO Blank	513295
GRSR Self Regulating type	513308
GRCW Constant Wattage type	513316

DL: COMMERCIAL CONNECTION ACCESSORIES

RTPC: POWER CONNECTION KIT

RTPC Power Connection Box is a NEMA 4X rated junction box designed to connect all Rapid Trace Heating Cables to customer supplied power wiring. This kit provides waterproof cable entry for up to three cables, enclosure support, terminal block and a waterproof corrosion resistant wiring enclosure, with an opening to accept a 3/4" conduit hub. A pipe strap is required to attach this model to a pipe.



RTPC: Power Connection Kit

1 molded junction box consisting of:

- 1 base
- 1 box w/conduit opening
- 1 lid

- (1) three position terminal block
- (1) mounting screw for terminal block
- (1) GRSR self-regulating cable sealing grommet
- (1) GRCW constant wattage sealing grommet

ORDERING INFORMATION - RTPC

Model	PCN	Stock	Wt. (Lbs.)
RTPC	513105	S	1
RTPC-SL1	513113	S	2
RTPC-SL2	513121	S	2
RTPC-SL3	513130	S	2

CONSTRUCTION:

- A** Three strategically placed cable entries allow maximum flexibility for insulation (heating cable cut away for clarity).
- B** Stainless steel tie down support provides positive attachment to pipes.
- C** Heavy duty support legs give stable pipe mounting and provide conduit clearance for applications with up to three inches of insulation.
- D** Opening for 3/4" (20 mm) conduit hub.
- E** Oblique sided box and cover allow easy access for wiring.
- F** Cable grommets provide water-tight seal between base, box and cable. Use GRSR with all self-regulating cable. Use GRCW for constant wattage cables. One of each grommet included in kit. See table below for spare grommets.
- G** Three position terminal block for easy wiring.
- H** Power wiring entry. Conduit hub no included
- I** Gasket provides water-tight seal between box and lid. It is affixed to the lid and holds the mounting hardware during assembly.

Note 1 - Refer to DL & EL General Application Accessories at the end of this section.

RTPC: Power Connection Kit with Signal Light (Ordinary Area Only)

1 molded junction box consisting of:

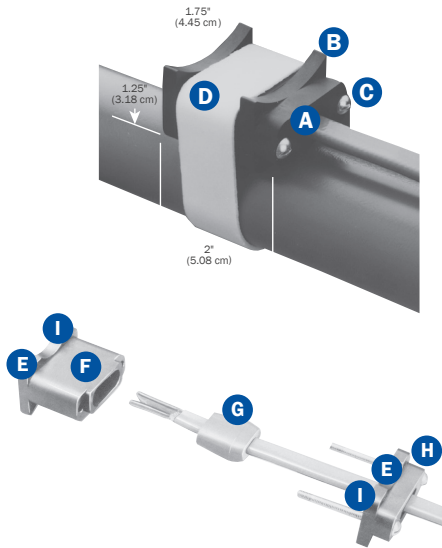
- 1 base
 - 1 box w/conduit opening
 - 1 lid with signal light installed (LED Style)
- Specify: SL1(120V), SL2(208-240V), SL3(277V) operation

- (1) three position terminal block
- (1) mounting screw for terminal block
- (1) GRSR self-regulating cable sealing grommet
- (1) GRCW constant wattage sealing grommet

DL: COMMERCIAL CONNECTION ACCESSORIES

RTST: SPLICE & TEE KIT

RTES End Seal Fitting is a NEMA 4X rated enclosure designed to terminate all Rapid Trace Heating Cables. This model provides waterproof cable entry for one cable, enclosure support and a waterproof corrosion resistant enclosure. The fitting has two different curved mounting surfaces. One side has a 1-1/2" radius curved surface that provides stable support on pipes with a diameter of 3" or more. The other side has a 1/2" radius curved surface which permits a better fit on smaller pipes. In addition, this side also has four "feet" for installation on flat surfaces.

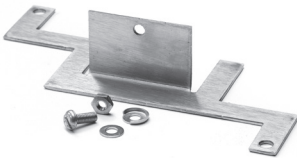


CONSTRUCTION:

- A** Cable entry.
- B** Three inch diameter curved mounting surface.
- C** Captured stainless steel hardware.
- D** One inch wide strapping channel for secure mounting.
- E** One-half inch radius curved mounting surface.
- F** End cap.
- G** Cable grommets provide water-tight seal between end cap and pressure plate. Use GRSR with all self-regulating cables. Use GRCW with constant wattage cables. One of each grommet included in kit. See table below for spare grommets.
- H** Pressure plate.
- I** Mounting feet for installation on flat surfaces.

DL ACCESSORY COMPONENTS

MP-1 (514239)



MOUNTING PLATE KIT ATTACHMENTS

For installing RTPC and RTST kits on flat surfaces. Kit includes:

- (1) mounting plate
- (1) lock washer
- (1) bolt
- (1) washer
- (1) nut

Note: The complete line of DL & EL Mounting Accessories is located at the end of this section,

RTES: END SEAL KIT

- (1) end cap
- (1) pressure plate
- (1) GRSR self-regulating cable sealing grommet
- (1) GRCW constant wattage sealing grommet

SPARE GROMMETS

PCN

GRS	RTD/Capillary type	513287
GRO	Blank	513295
GRSR	Self Regulating type	513308
GRCW	Constant Wattage type	513316

ORDERING INFORMATION - RTES

Model	PCN	Stock	Wt. (Lbs.)
RTES	513148	S	1