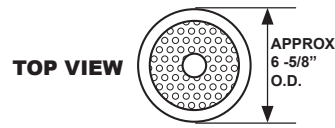
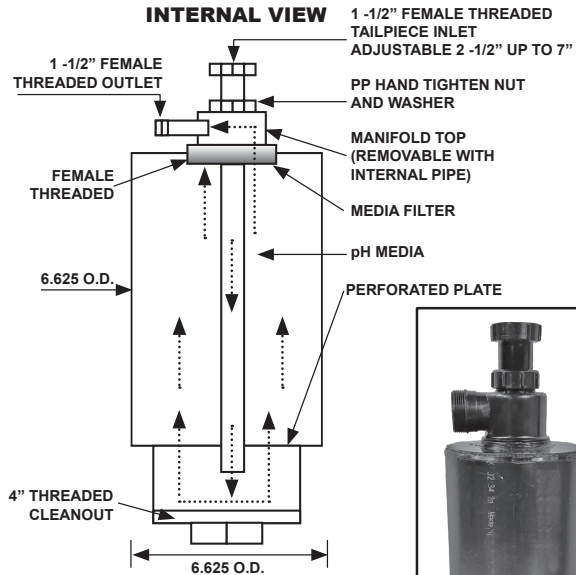
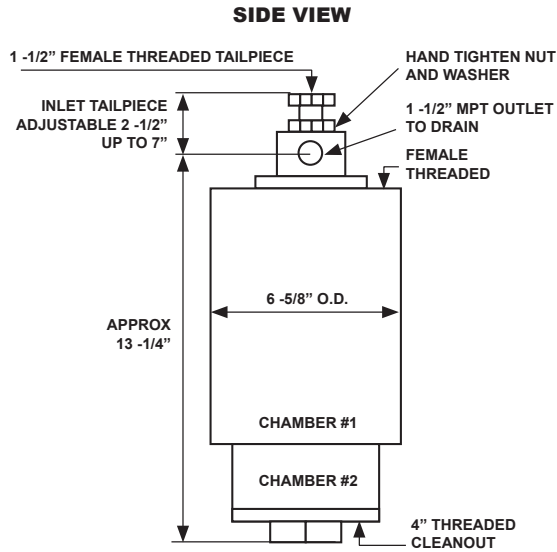


# POINT OF USE NEUTRALIZATION CARTRIDGE SYSTEM

The MI-NEUT-P is a point of use application acid neutralization tank. It replaces the standard P-trap and the need for down stream acid waste piping. The maximum flow rate is 8 GPM. The MI-NEUT-P uses solid alkali non-resin materials to neutralize acids in a self-contained system. Each MI-NEUT-P comes with a full charge of media, Bucket (Pail), Siphon with Tubing, and Support Pipe with Flange.



MODEL NO.	LIST PRICE
MI-NEUT-P	\$2,095.00
MI-NEUT-MED (REPLACEMENT MEDIA)	\$210.00

NOTE: PLASTIC SUPPORT PIPE AND FLANGE TO BE POSITIONED BY INSTALLER UNDER CLEANOUT. SUPPORT PIPE CAN BE CUT TO SIZE.

## CONTROL PANELS & SAMPLING TANKS (SUMPS)

ITEM	DESCRIPTION
MI-NEUT-MONITOR	Ph control panel with one ph probe, 10 ft. of cable no recorder.
MI-NEUT-MONITOR-R	Ph control panel with one ph probe, 10 ft. of cable and recorder
MI-NEUT-MONITOR-2	Ph control panel with two ph probes and with two 10 ft. of cables and recorder.
MI-NEUT-SAM-5	Sampling sump, with up to 4" inlet and outlet with 1/2" pp cover with 3" flanged connection for ph probe assembly. (Deduct \$130.00 List, if probe assembly not needed).
MI-NEUT-SAM-30	Sampling sump, with up to 4" inlet and outlet with 1/2" pp cover with 3" flanged connection for ph probe assembly. (Deduct \$130.00 List, if probe assembly not needed).

Note: Greater than 10 ft. of cabling is available.  
Please contact MIFAB for details

MODEL NO.	GALLON CAPACITY	INTERNAL DIMENSIONS (In.) (A X B)	WALL THICKNESS (In.)	INLET / OUTLET CONNECTION SIZES (In.) (E)	STANDARD FITTING CONNECTIONS	STANDARD FITTING CONNECTIONS	
						INLET (C)	OUTLET (D)
MI-NEUT-SAM-5	5	11" x 14"	3/16"	2"	PLAIN END	9"	9"
MI-NEUT-SAM-30	30	18" x 29"	3/16"	4"	PLAIN END	19"	19"

Note: Wiring and conduits by others.  
Note: Larger fittings available at an additional cost.  
\*\*Additional digital controllers are available as well. Please inquire.

