

Location: _____



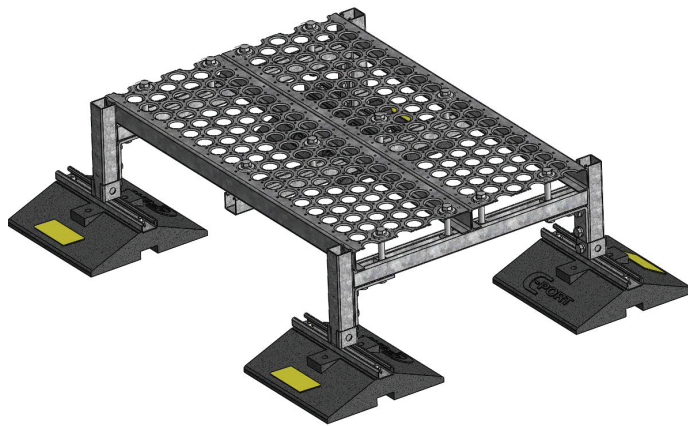
MIFAB[®]

CMPW-MD

MEDIUM DUTY MECHANICAL PLATFORMS

Specification: The CMPW-MD comes equipped with a deck made from 13-gauge steel grating. The support bases are C-PORT CXW supports. The support platforms are customizable in all dimensions per the project requirements. Consult roofing manufacturer or engineer for roof loading.

Function: Used to elevate rooftop mechanical units and other devices.



MODEL #	# OF BASES	WIDTH	LENGTH	HEIGHT	MAX LOAD
CMPW-MD-24248-4D	4	24" (610)	24" (610)	8"(203)	1,400 lbs.
CMPW-MD-24368-4D	4	24" (610)	24" (610)	8"(203)	2,100 lbs.
CMPW-MD-36368-4D	4	36" (914)	36" (1219)	8"(203)	3,000 lbs.

CALIFORNIA PROPOSITION 65 WARNING. This product contains chemicals known to the State of California to cause cancer and birth defects or other reproductive harm.

Job Name: _____

Page No: _____

Section No: _____

Contractor: _____

Schedule No: _____

Purchase Order No: _____