

Location: _____



CC

COPPER PIPING SUPPORT

Specification:

Base - Recycled rubber with 14 gauge Galvanized combination channel fitting. (Back to back 13/16" strut welded to galvanized steel plate.)

Dimensions: 4" High x 6" Wide x 9.6" Long

Material: 100% recycled rubber, UV resistant

Maximum Load - 350 lbs.



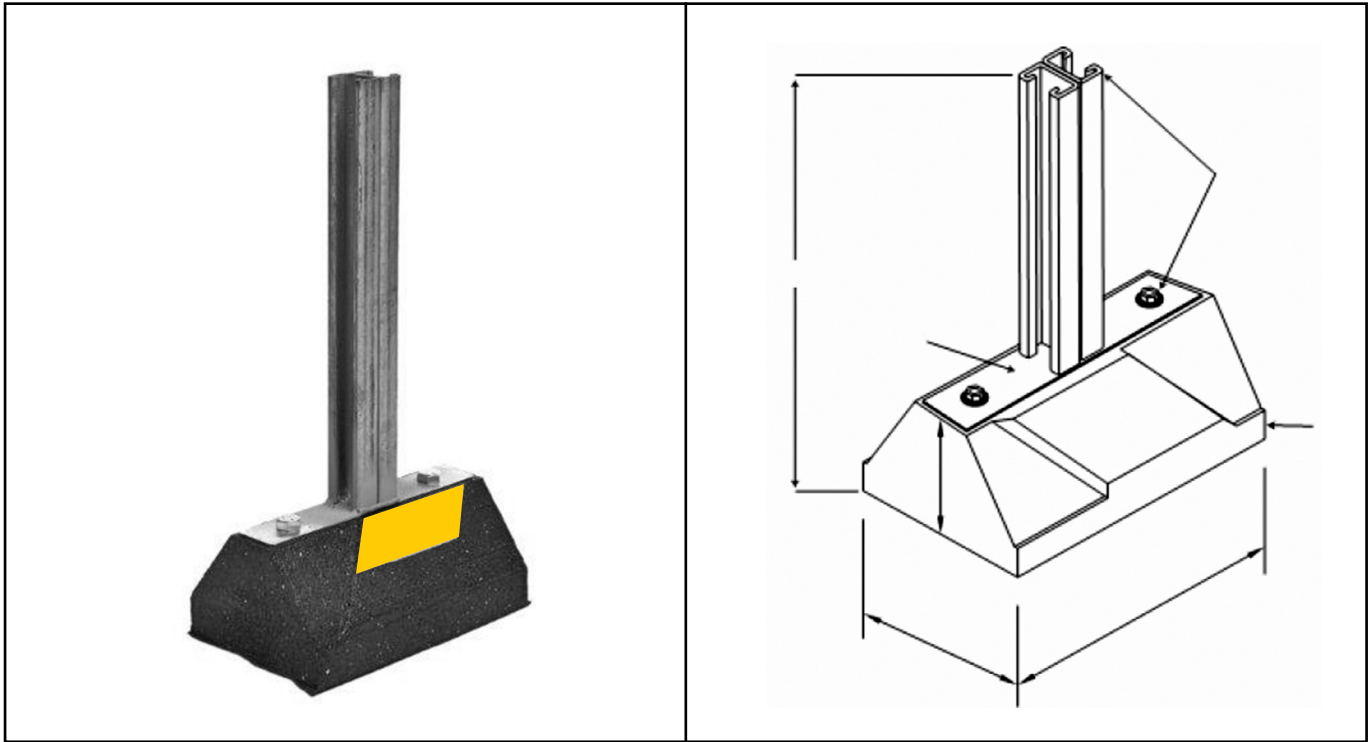
**Environmentally Friendly
made from
100% recycled tires**

Function: The CC Series is designed for support of copper piping on any roofing material or other flat surfaces. The channel will accept strut clamps (by others) for adjustable heights.



Consult with roofing consultant for allowable loads.

U.S. Patent No. 7,866,093



MODEL NO.	HEIGHT (H)	WIDTH (W)	LENGTH (L)	WEIGHT
CC10-8	18" (457)	6" (152)	9.6" (244)	9.25 lbs.

CALIFORNIA PROPOSITION 65 WARNING. This product contains chemicals known to the State of California to cause cancer and birth defects or other reproductive harm.

Job Name: _____ Page No: _____
 Section No: _____ Contractor: _____
 Schedule No: _____ Purchase Order No: _____

MIFAB® reserves the right to make changes in material and design without formal notice and obligation.

USA: 1-800-465-2736 www.mifab.com CAN: 1-800-387-3880