

Location: _____



CAD-PL

**CEILING OR WALL ACCESS DOOR,
PLASTER FINISH**

Specification: MIFAB® Series CAD-PL recessed access door is designed for use in acoustic plaster walls and ceilings. The door panel is recessed 5/8" (15) and is lined with a self-furring metal lath to allow the insertion of plaster within the door panel. A 2 3/4" (70) wide metal lath extends from the perimeter of the frame. Only the thickness of the door and frame edges are exposed. It has a unique light color finish.

Material: CAD-PL Series is 16 gauge satin coat steel door and 16 gauge satin coat steel frame. The CAD-PLSS Stainless Steel Series is 16 gauge #304 stainless steel door and frame.

Finish: Satin coat steel doors have a primed finish. Stainless steel doors have a #4 brush satin finish.

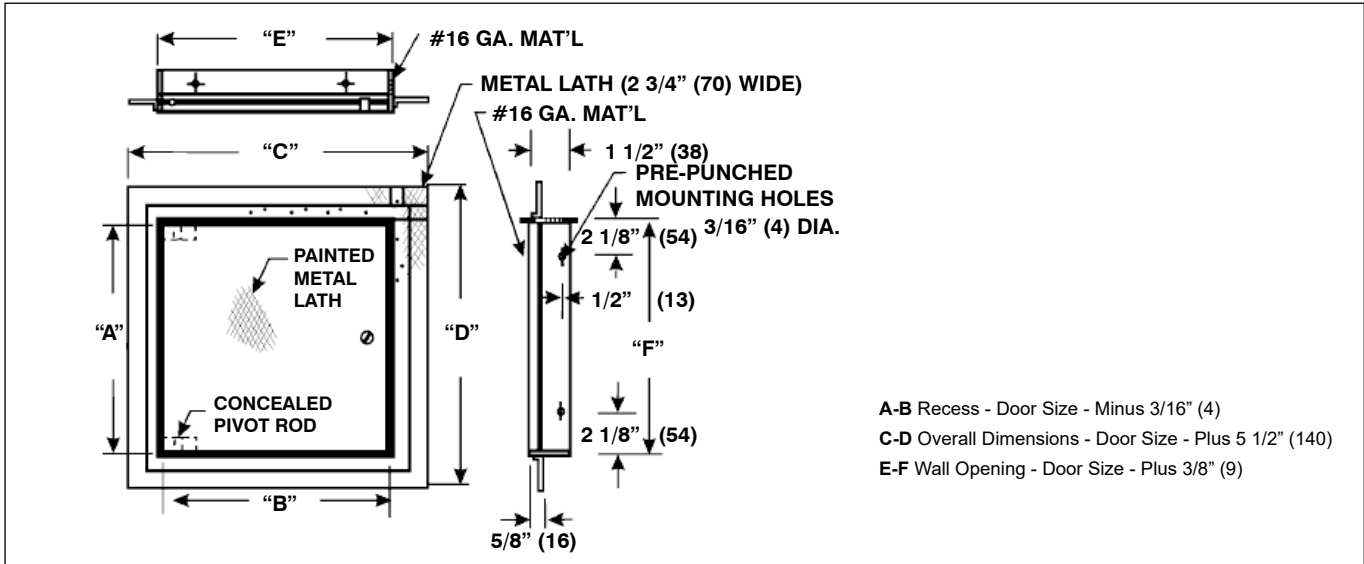
Door: Recessed 5/8" (15) door pan with self-furring metal lath to accept plaster.

Frame: Mounting flange is 1 1/8" (28) wide and recessed 5/8" (15) from the door and lined with a 2 3/4" (70) wide self-furring metal lath.

Hinge: Concealed pivot pins.

Latch: Standard - Flush mounted, screwdriver operated cam. Optional – Allen key, cylinder key, or vandal resistant. All of MIFAB's cylinder key lock are keyed alike.

Packaging: Individual pack.



"B" x "A"	WALL OPENING	SHIP WEIGHT (Lbs.)	LATCHES	MILD STEEL MODEL #	STAINLESS STEEL MODEL #
12" x 12"	12 3/16" x 12 3/16"	8.5	1	CAD-PL1212	CAD-PLSS1212
12" x 24"	12 3/16" x 24 3/16"	15.0	2	CAD-PL1224	CAD-PLSS1224
18" x 18"	18 3/16" x 18 3/16"	15.0	2	CAD-PL1818	CAD-PLSS1818
24" x 24"	24 3/16" x 24 3/16"	23.0	4	CAD-PL2424	CAD-PLSS2424
24" x 36"	24 3/16" x 36 3/16"	27.0	5	CAD-PL2436	CAD-PLSS2436

SUFFIX	VARIATIONS
-A	Allen key lock
-BA	Buy American Act compliant product
-C	Cylinder key lock
-PA	Pennsylvania Steel Act compliant product
-VP	Vandal resistant hardware (VP Screwdriver included)

(Dimension) Denotes Millimetres
NOTE: The hinge is always furnished on the "A" or height (longer) dimension, unless otherwise specified.

CALIFORNIA PROPOSITION 65 WARNING. This product contains chemicals known to the State of California to cause cancer and birth defects or other reproductive harm.

Job Name: _____ Page No: _____
 Section No: _____ Contractor: _____
 Schedule No: _____ Purchase Order No: _____