

Location: \_\_\_\_\_



**CAD-FL-PL**

**CEILING OR WALL ACCESS DOOR,  
FLUSH DOOR W/ FRAME & PLASTER FINISH**

**Specification:** MIFAB® Series CAD-FL-PL recessed access door is designed for flush installation in drywall or plaster surfaces. The door panel is flush with the frame. When installed flush with the wall or ceiling, only the door panel is exposed. A 2 3/4" (70) wide metal lath on all sides provides a rigid frame. A mounting bracket is recessed 5/8" (15) from the door. It has a unique light color finish.

**Material:** CAD-FL-PL Series is a 16 gauge satin coat door and a 16 gauge satin coat frame. The CAD-FL-PLSS Stainless Steel Series is 16 gauge #304 stainless steel door and frame.

**Finish:** Satin coat steel doors have a primed finish. Stainless steel doors have a #4 brush satin finish.

**Door:** Flush to frame. Turned back around edges for extra rigidity.

**Frame:** Mounting flange is 1 1/8" (28) wide and recessed 5/8" (15) from the door. A 2 3/4" (70) wide self furring metal lath lines the flange.

**Hinge:** Concealed pivot pins.

**Latch:** Standard – Flush mounted, screwdriver operated cam. Optional – Allen key, cylinder key, paddle latch, or vandal resistant (lock only) latch. All of MIFAB's cylinder key locks are keyed alike.

**Packaging:** Individual pack.



"B" x "A"	WALL OPENING	SHIP WEIGHT (Lbs.)	LATCHES	MILD STEEL MODEL #	STAINLESS STEEL MODEL #
8" x 8"	6 3/16" x 8 3/16"	4.0	1	CAD-FL-PL0808	CAD-FL-PLSS0808
8" x 12"	8 3/16" x 12 3/16"	5.0	1	CAD-FL-PL0812	CAD-FL-PLSS0812
10" x 10"	10 3/16" x 10 3/16"	5.5	1	CAD-FL-PL1010	CAD-FL-PLSS1010
12" x 12"	12 3/16" x 12 3/16"	6.0	1	CAD-FL-PL1212	CAD-FL-PLSS1212
12" x 16"	12 3/16" x 16 3/16"	7.0	1	CAD-FL-PL1216	CAD-FL-PLSS1216
12" x 18"	12 3/16" x 18 3/16"	8.0	1	CAD-FL-PL1218	CAD-FL-PLSS1218
12" x 24"	12 3/16" x 24 3/16"	11.4	3	CAD-FL-PL1224	CAD-FL-PLSS1224
14" x 14"	14 3/16" x 14 3/16"	7.8	1	CAD-FL-PL1414	CAD-FL-PLSS1414
16" x 16"	16 3/16" x 16 3/16"	9.6	1	CAD-FL-PL1616	CAD-FL-PLSS1616
16" x 20"	16 3/16" x 20 3/16"	11.4	1	CAD-FL-PL1620	CAD-FL-PLSS1620
18" x 18"	18 3/16" x 18 3/16"	11.4	3	CAD-FL-PL1818	CAD-FL-PLSS1818
18" x 24"	18 3/16" x 24 3/16"	15.9	3	CAD-FL-PL1824	CAD-FL-PLSS1824
20" x 24"	20 3/16" x 24 3/16"	17.0	3	CAD-FL-PL2024	CAD-FL-PLSS2024
20" x 30"	20 3/16" x 30 3/16"	19.0	5	CAD-FL-PL2030	CAD-FL-PLSS2030
24" x 24"	24 3/16" x 24 3/16"	18.3	3	CAD-FL-PL2424	CAD-FL-PLSS2424
24" x 30"	24 3/16" x 30 3/16"	20.0	5	CAD-FL-PL2430	CAD-FL-PLSS2430
24" x 36"	24 3/16" x 36 3/16"	24.5	5	CAD-FL-PL2436	CAD-FL-PLSS2436
30" x 30"	30 3/16" x 30 3/16"	24.5	5	CAD-FL-PL3030	CAD-FL-PLSS3030
36" x 36"	36 3/16" x 36 3/16"	28.0	5	CAD-FL-PL3636	CAD-FL-PLSS3636

**A-B** Door Size

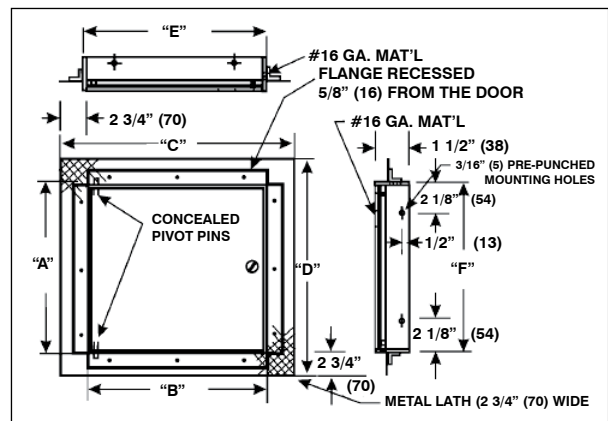
**C-D** Overall Dimensions - Door Size - Plus 2 1/4" (57)

**E-F** Wall Opening - Door Size - Plus 1/2" (13)

**(Dimension) Denotes Millimetres**

**NOTE:** The hinge is always furnished on the "A" or height (longer) dimension, unless otherwise specified.

SUFFIX	OPTIONAL VARIATIONS
-A	Allen key lock
-BA	Minimum 51% material cost made in the USA
-C	Cylinder key lock
-PA	Pennsylvania Steel Act compliant product
-PL	Paddle latch
-VP	Vandal resistant hardware (VP Screwdriver included)



CALIFORNIA PROPOSITION 65 WARNING. This product contains chemicals known to the State of California to cause cancer and birth defects or other reproductive harm.

Job Name: \_\_\_\_\_  
 Section No: \_\_\_\_\_  
 Schedule No: \_\_\_\_\_

Page No: \_\_\_\_\_  
 Contractor: \_\_\_\_\_  
 Purchase Order No: \_\_\_\_\_