

Location: _____



C220-S

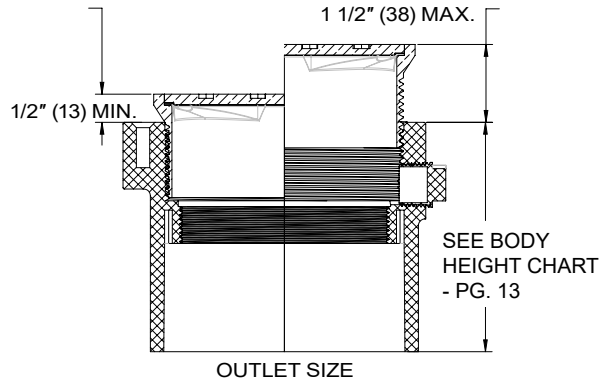
5" SQUARE ADJUSTABLE FLOOR CLEANOUT

Specification: MIFAB® C220-S Series square adjustable floor cleanout with lacquered cast iron body, secondary closure plug and scoriated combined gasketed cover and plug top assembly (specify material type) with stainless steel vandal proof allen key screws.

Function: Used in finished floors to provide emergency access to the plumbing lines for removal of blockages. Replacement of the surface level cover/plug with the neoprene gasket glued to the underside provides visual evidence that the cleanout has been properly resealed to prevent harmful sewer gases from entering the building.

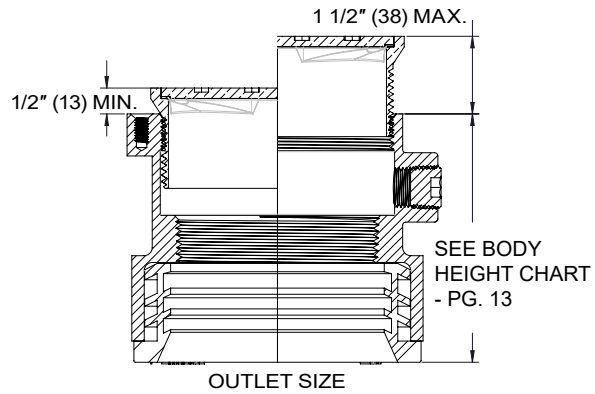
Adjustable Floor Cleanout with Square Top Assembly.

C224-30-S-1



Adjustable Floor Cleanout with Square Top Assembly.

C224P-S-1



MODEL #	OUTLET SIZE	TOP ASSEMBLY SIZE & MATERIAL
C222-30-S-1	2" PVC socket	5" Square, Nickel Bronze
C223-30-S-1	3" PVC socket	5" Square, Nickel Bronze
C224-30-S-1	4" PVC socket	5" Square, Nickel Bronze
C222-31-S-1	2" ABS socket	5" Square, Nickel Bronze
C223-31-S-1	3" ABS socket	5" Square, Nickel Bronze
C224-31-S-1	4" ABS socket	5" Square, Nickel Bronze
C222-S-1	2" No Hub (Cast Iron)	5" Square, Nickel Bronze
C223-S-1	3" No Hub (Cast Iron)	5" Square, Nickel Bronze
C224-S-1	4" No Hub (Cast Iron)	5" Square, Nickel Bronze
C222P-S-1	2" Push On (Cast Iron)	5" Square, Nickel Bronze
C223P-S-1	3" Push On (Cast Iron)	5" Square, Nickel Bronze
C224P-S-1	4" Push On (Cast Iron)	5" Square, Nickel Bronze

A1 BODY - HEIGHT CHART			
OUTLET SIZE	PVC (-30), ABS (-31)	NO HUB (STANDARD)	PUSH ON (P)
2"	2 5/8"	3"	3 3/8"
3"	3 1/4"	3"	3 3/8"
4"	3 1/2"	3"	3 3/8"

A4 BODY - HEIGHT CHART			
OUTLET SIZE	PVC (-30), ABS (-31)	NO HUB (STANDARD)	PUSH ON (P)
2"	3 5/8"	4"	4 3/8"
3"	4 5/16"	4"	4 3/8"
4"	4 11/16"	4"	4 3/8"

OPTIONAL VARIATIONS	
SUFFIX	DESCRIPTION
-6	Vandal Proof (H-1039A - 4 pieces)

CALIFORNIA PROPOSITION 65 WARNING. This product contains chemicals known to the State of California to cause cancer and birth defects or other reproductive harm.

Job Name: _____
 Section No: _____
 Schedule No: _____

Page No: _____
 Contractor: _____
 Purchase Order No: _____